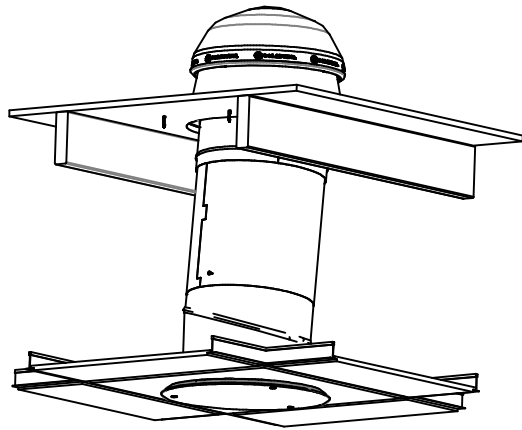


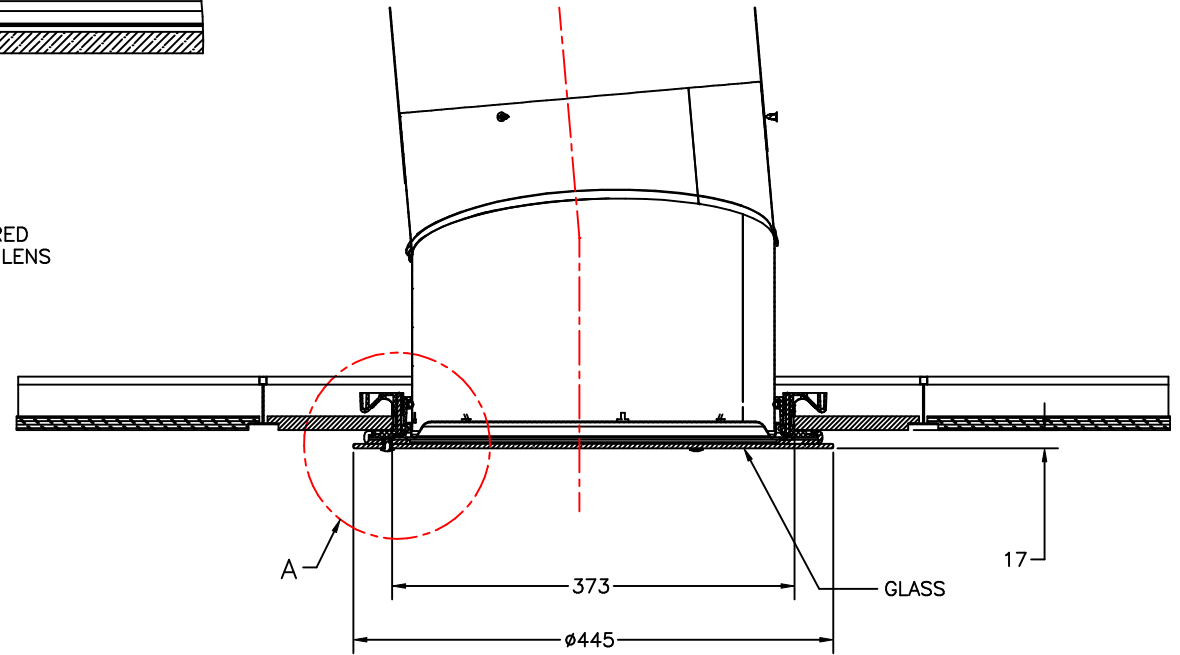
DETAIL A
SCALE: 1:1



3D VIEW
SCALE: NTS



'JUSTFROST': SHOWCASES SUNLIGHT IN A CLEAN CONTEMPARY DESIGN



FULL SECTION
SCALE: 1:5



PHONE: 0800 466-383
WEB: www.hometech.co.nz



SOLATUBE.

Innovation in Daylighting™

Copyright
Trademarks and Patents registered.



Approved No.866 (2009)

Authorised Distributor
HomeTech Limited, New Zealand.

GLASSDISTRACTIONS DECORATIVE GLASS FIXTURE "JUSTFROST"
FOR SOLATUBE 290DS DAYLIGHTING SYSTEM

INSTALLATION: INSTALLED BY A HOMETECH SOLATUBE CERTIFIED INSTALLATION CONSULTANT AS PER
SOLATUBE INTERNATIONAL MANUFACTURING SPECIFICATION © 2011 HomeTech Ltd

DRAWN	PCR	REVISION	B
DATE	21/10/16	SCALE	1:5,1:1,NTS
APPROVED	PN	DWG NO.	
DATE	21/10/16	GD-JF3	