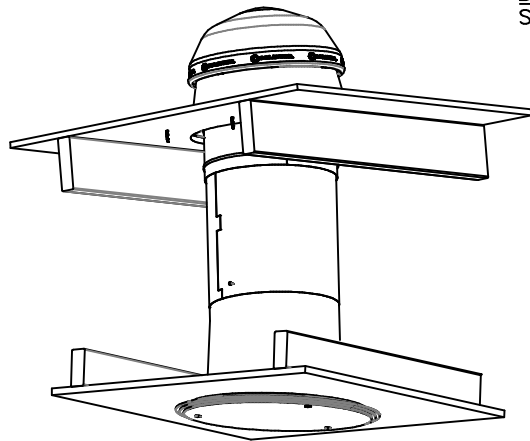


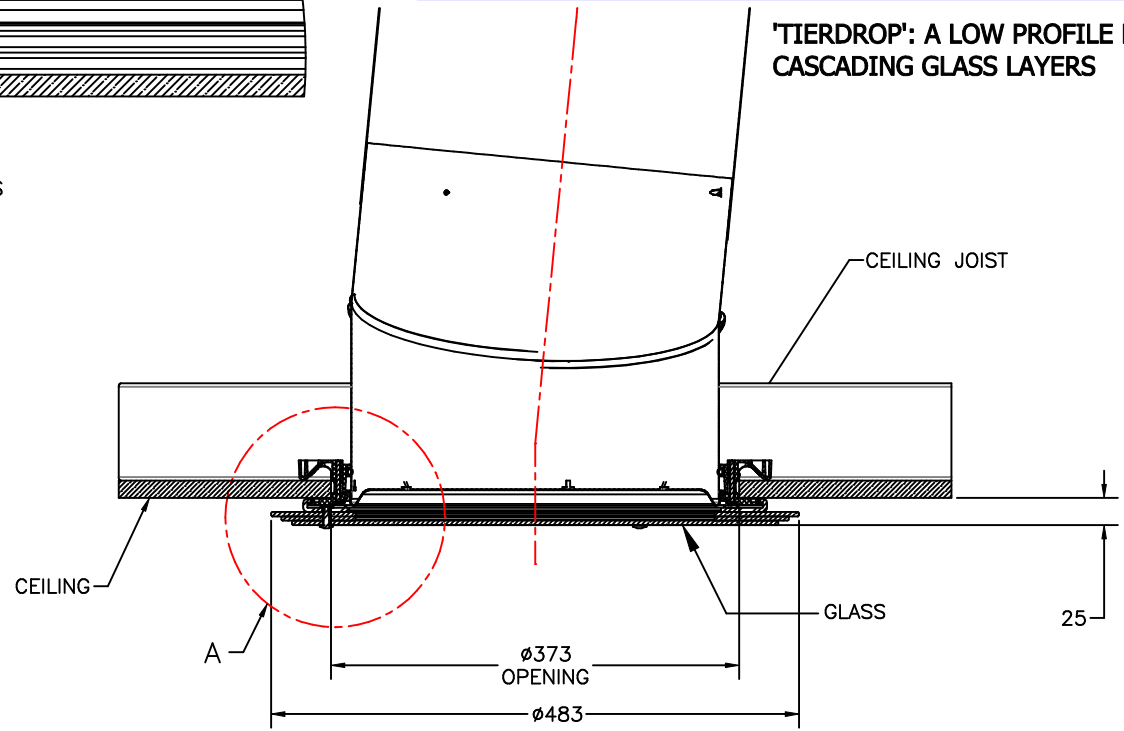
DETAIL A
SCALE: 1:1



'TIERDROP': A LOW PROFILE DESIGN OF CASCADING GLASS LAYERS



3D VIEW
SCALE: NTS



FULL SECTION
SCALE: 1:5

DRAWN	PCR	REVISION	B
DATE	21/10/16	SCALE	1:5, 1:1, NTS
APPROVED	PN	DWG NO.	GD-TD4
DATE	21/10/16		