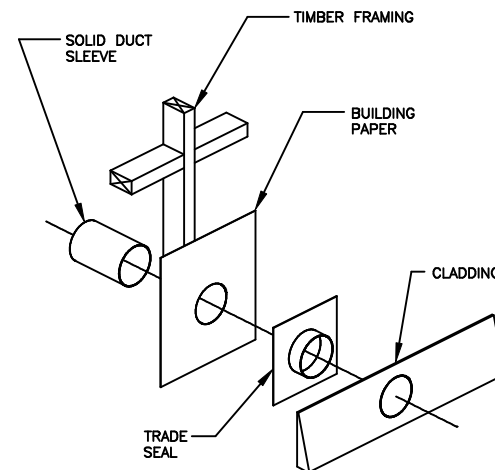


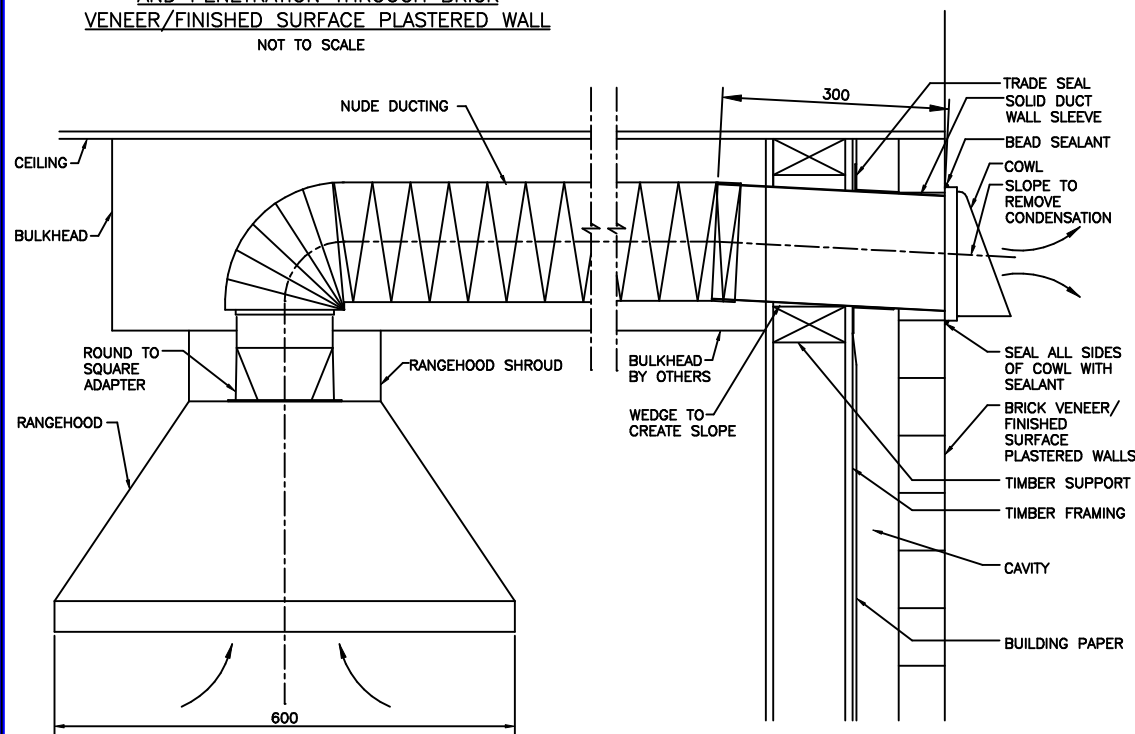
**EXPLODED DETAILS OF TRADE SEAL AND PENETRATION THROUGH BRICK VENEER/FINISHED SURFACE PLASTERED WALL**  
NOT TO SCALE

- NOTES**
1. SOLID DUCT WALL SLEEVE PROTRUSION TO BE FLUSH WITH OUTSIDE LINE OF BRICK VENEER. MAKE ALLOWANCE FOR THICKNESS OF BRICK WHEN INSTALLING WALL SLEEVE.
  2. SOLID DUCT TO BE INSTALLED WITH SLOPE TO OUTSIDE
  3. DUCTING LENGTH IS SUITABLE FOR UP TO 4M LENGTH, THEREAFTER SOLID DUCT
  4. AIRFLOW (FREE AIR) APPROX 185 l/s

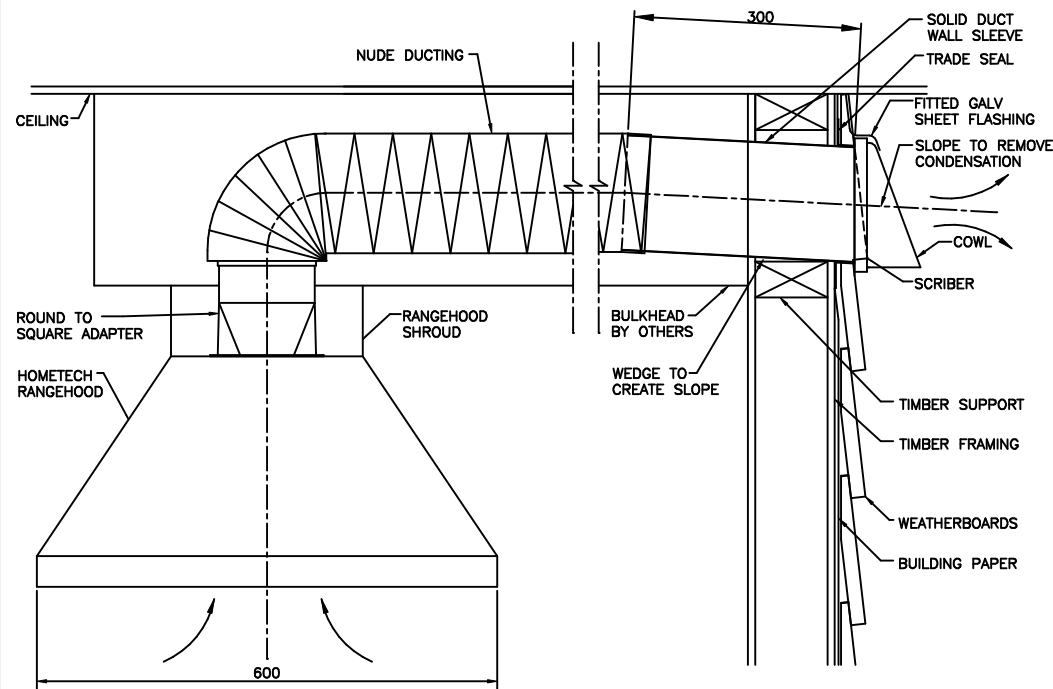


**EXPLODED DETAILS OF TRADE SEAL AND PENETRATION THROUGH WEATHERBOARD**  
NOT TO SCALE

- NOTES**
1. SOLID DUCT SLEEVE PROTRUSION TO BE FLUSH WITH OUTSIDE LINE OF WEATHERBOARDS. MAKE ALLOWANCE FOR THICKNESS OF WEATHERBOARD WHEN INSTALLING WALL SLEEVE.
  2. SOLID DUCT TO BE INSTALLED TO SLOPE TO OUTSIDE
  3. DUCTING LENGTH IS SUITABLE FOR UP TO 4M LENGTH, THEREAFTER SOLID DUCT
  4. AIRFLOW (FREE AIR) APPROX 185 l/s



**BRICK VENEER/FINISHED SURFACE PLASTERED WALL**



**WEATHERBOARD**

DRAWN	PCR	REVISION	B
DATE	22/10/16	SCALE	1:5, NTS
APPROVED	PN	DWG NO.	
DATE	22/10/16	HTRH-BH	