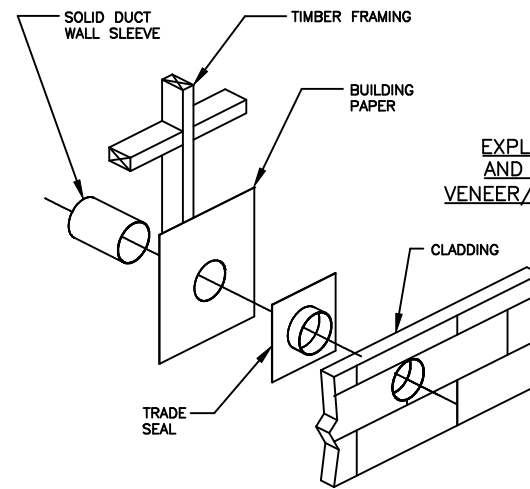


EXPLODED DETAILS OF TRADE SEAL AND PENETRATION THROUGH WEATHERBOARD  
NOT TO SCALE

WEATHERBOARD

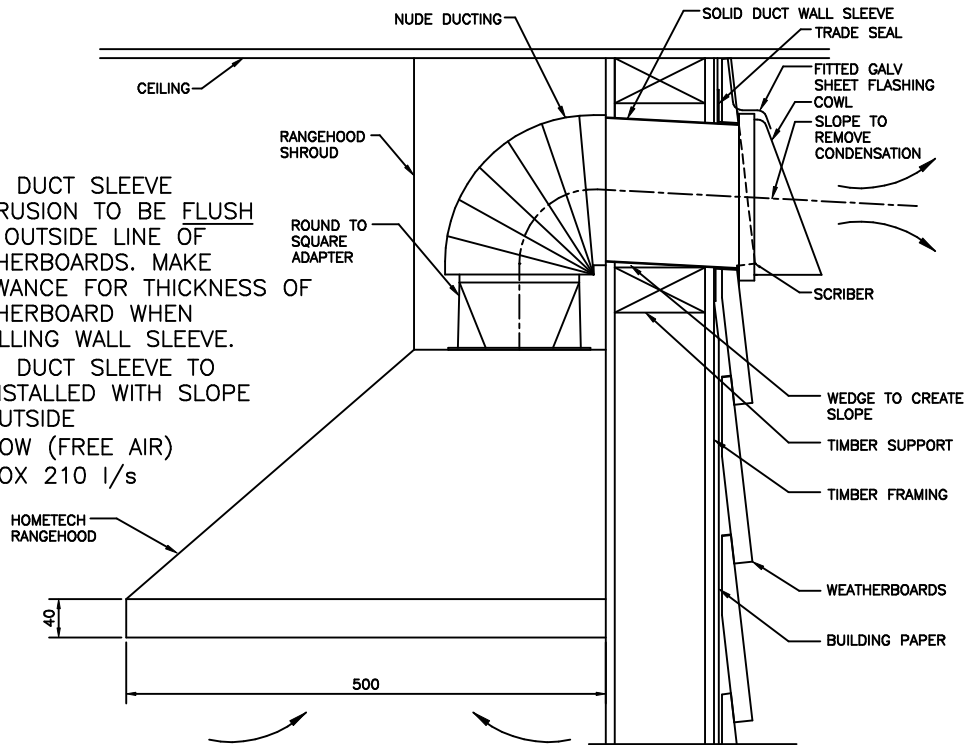


EXPLODED DETAILS OF TRADE SEAL AND PENETRATION THROUGH BRICK VENEER/FINISHED SURFACE PLASTERED WALL  
NOT TO SCALE

BRICK/VENEER/FINISHED SURFACE PLASTERED WALL

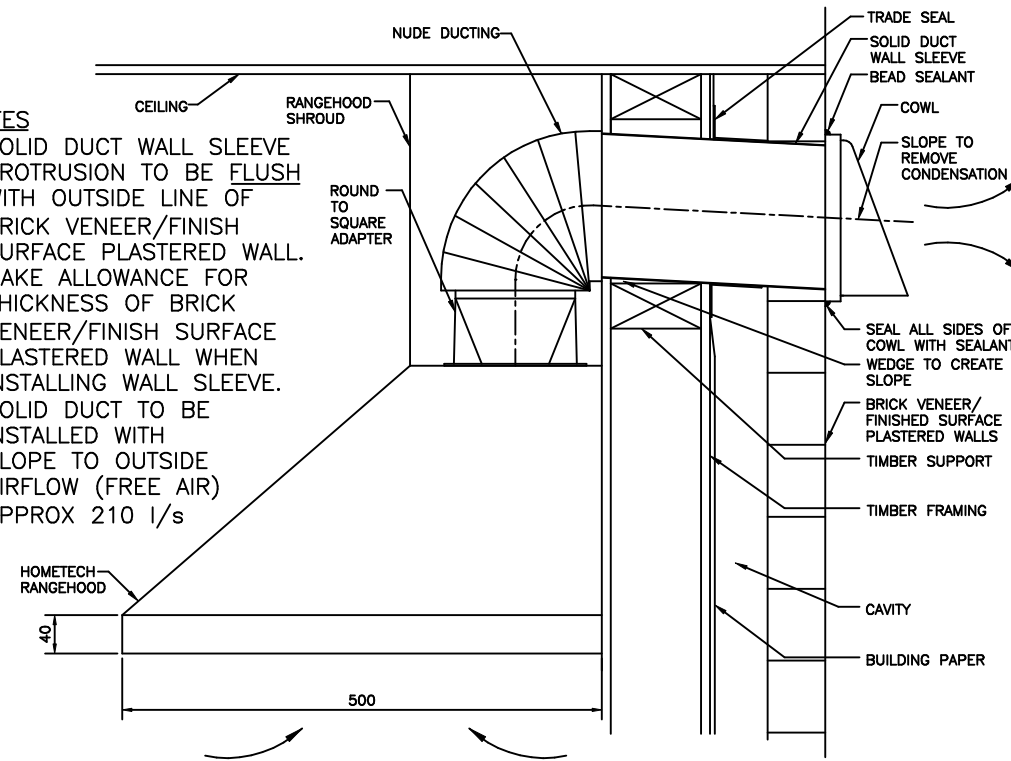
NOTES

1. SOLID DUCT SLEEVE PROTRUSION TO BE FLUSH WITH OUTSIDE LINE OF WEATHERBOARDS. MAKE ALLOWANCE FOR THICKNESS OF WEATHERBOARD WHEN INSTALLING WALL SLEEVE.
2. SOLID DUCT SLEEVE TO BE INSTALLED WITH SLOPE TO OUTSIDE
3. AIRFLOW (FREE AIR) APPROX 210 l/s



NOTES

1. SOLID DUCT WALL SLEEVE PROTRUSION TO BE FLUSH WITH OUTSIDE LINE OF BRICK VENEER/FINISHED SURFACE PLASTERED WALL. MAKE ALLOWANCE FOR THICKNESS OF BRICK VENEER/FINISHED SURFACE PLASTERED WALL WHEN INSTALLING WALL SLEEVE.
2. SOLID DUCT TO BE INSTALLED WITH SLOPE TO OUTSIDE
3. AIRFLOW (FREE AIR) APPROX 210 l/s



DRAWN	PCR	REVISION	B
DATE	22/10/16	SCALE	1:2.5, NTS
APPROVED	PN	DWG NO.	
DATE	22/10/16	HTRH	