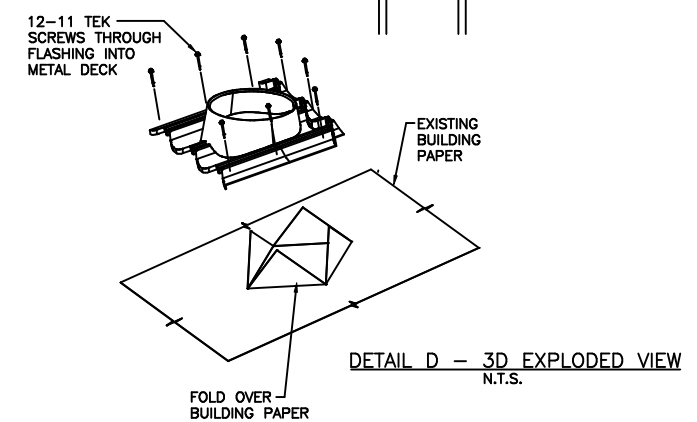
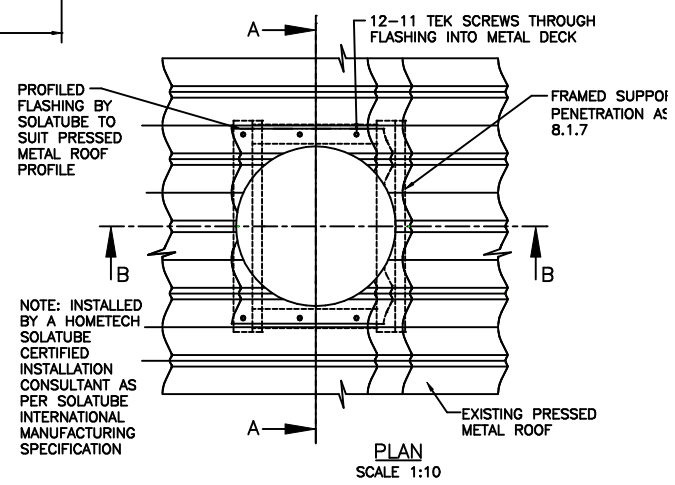
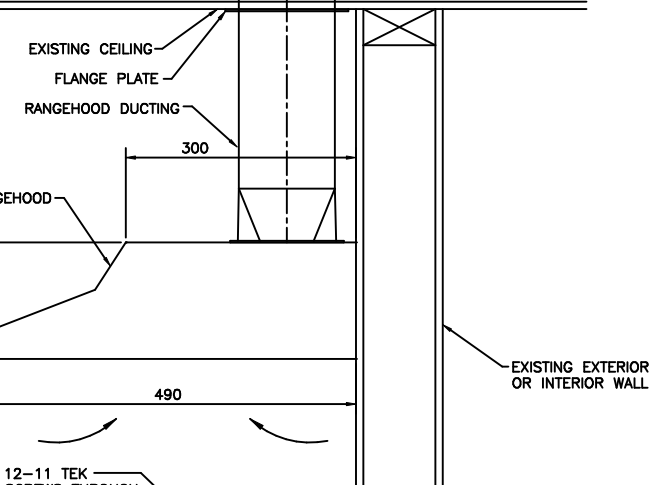


SECTION B-B  
SCALE 1:5



DRAWN	PCR	REVISION	D
DATE	22/10/16	SCALE	1:5,1:10,NTS
APPROVED	PN	DWG NO.	
DATE	22/10/16	RA6WH-D	