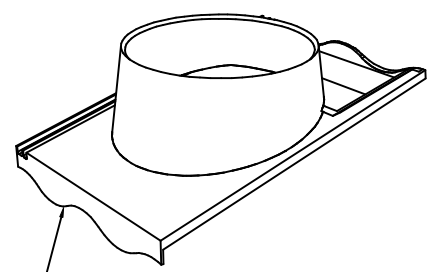
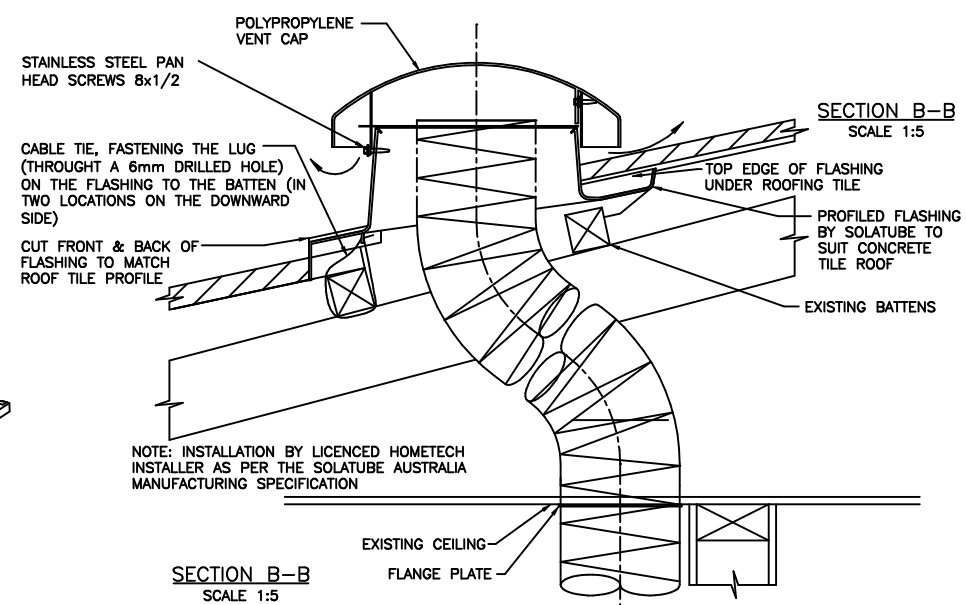


SECTION A-A  
SCALE 1:5

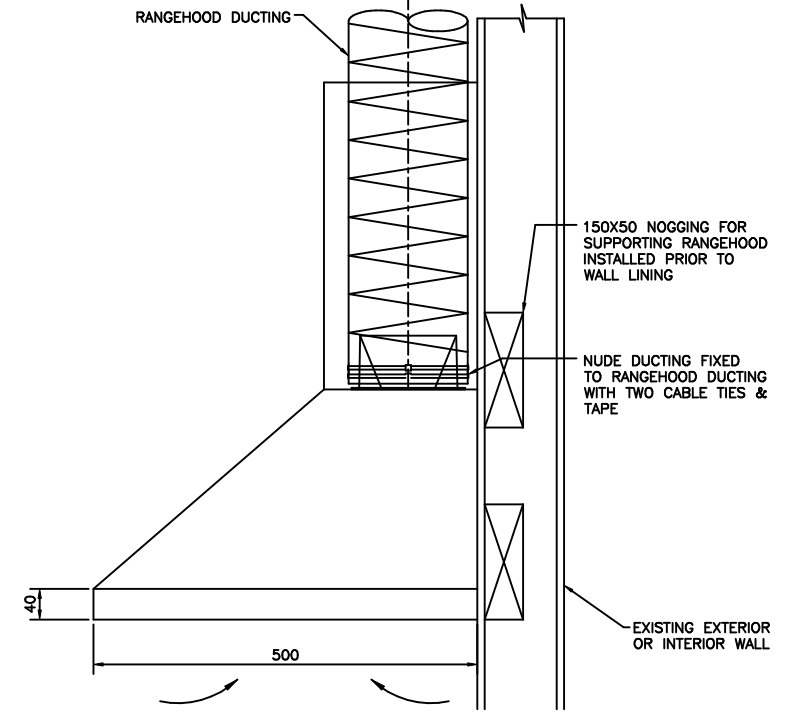
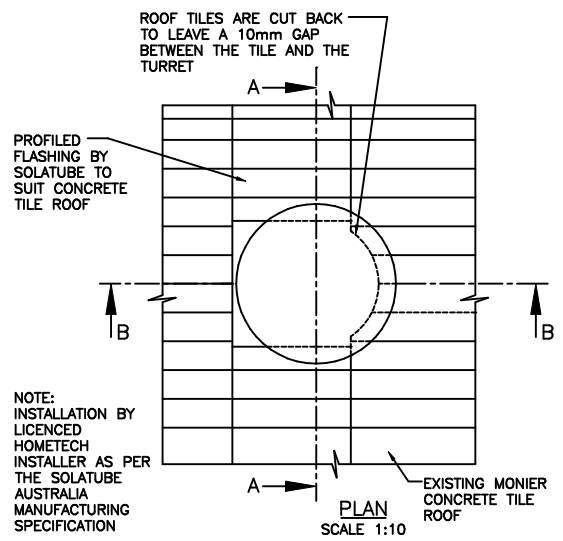
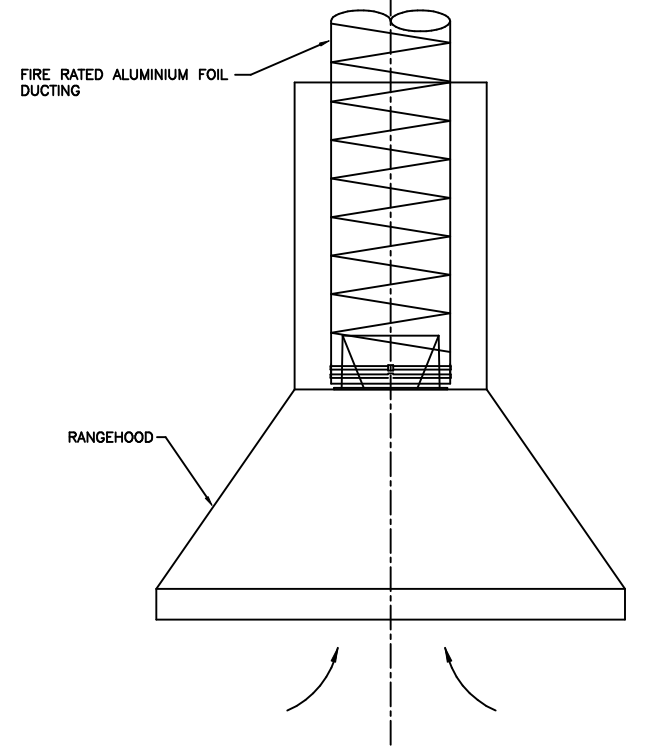


3D FLASHING VIEW - DETAIL D  
SCALE N.T.S.



SECTION B-B  
SCALE 1:5

SECTION B-B  
SCALE 1:5



DRAWN	PCR	REVISION	C
DATE	22/10/16	SCALE	1:5,1:10,NTS
APPROVED	PN	DWG NO.	
DATE	22/10/16	RWC3CH6SS-CO	