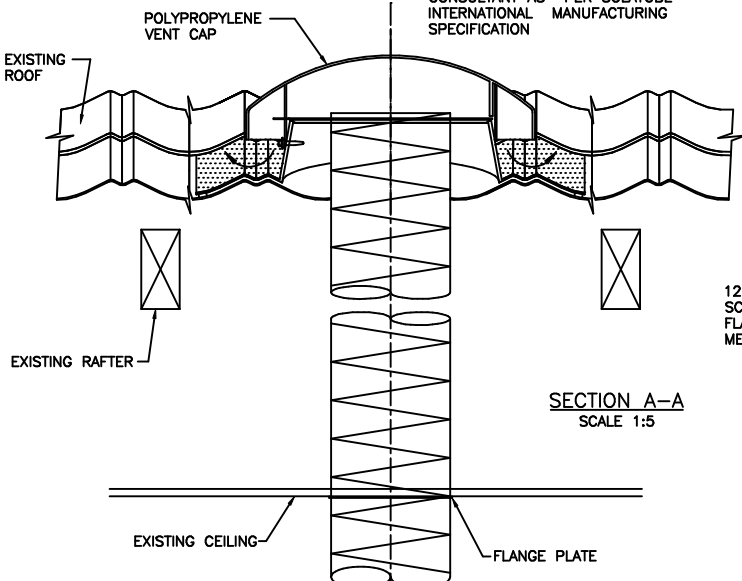
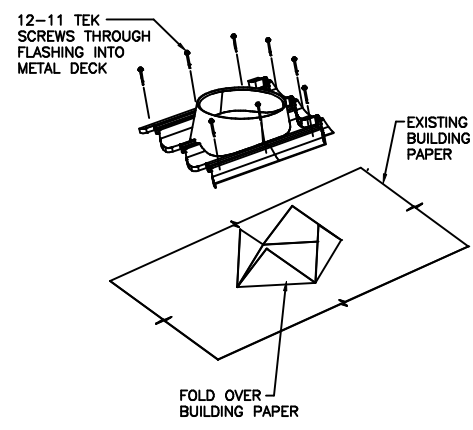


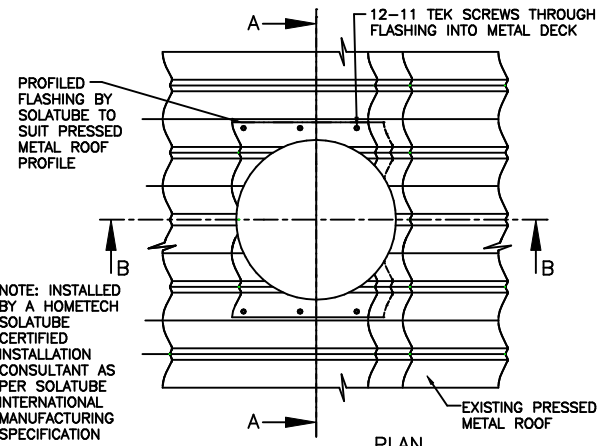
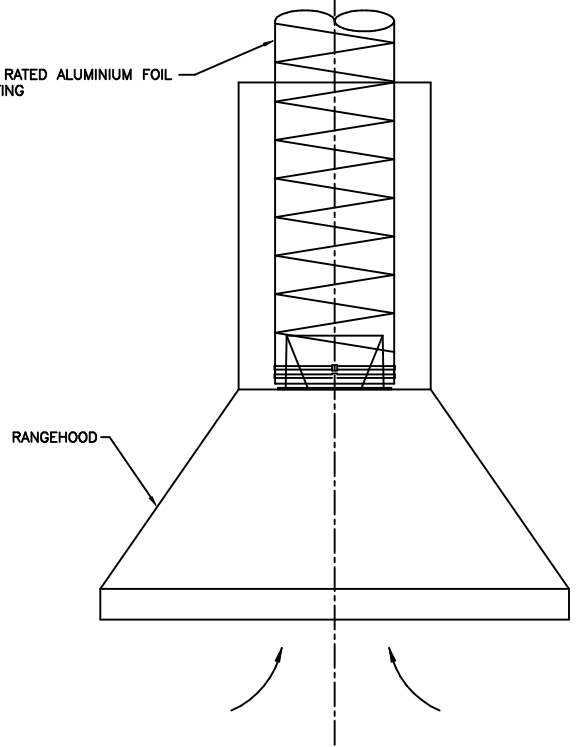
NOTE: INSTALLED BY A HOMETECH SOLATUBE CERTIFIED INSTALLATION CONSULTANT AS PER SOLATUBE INTERNATIONAL MANUFACTURING SPECIFICATION



SECTION A-A
SCALE 1:5

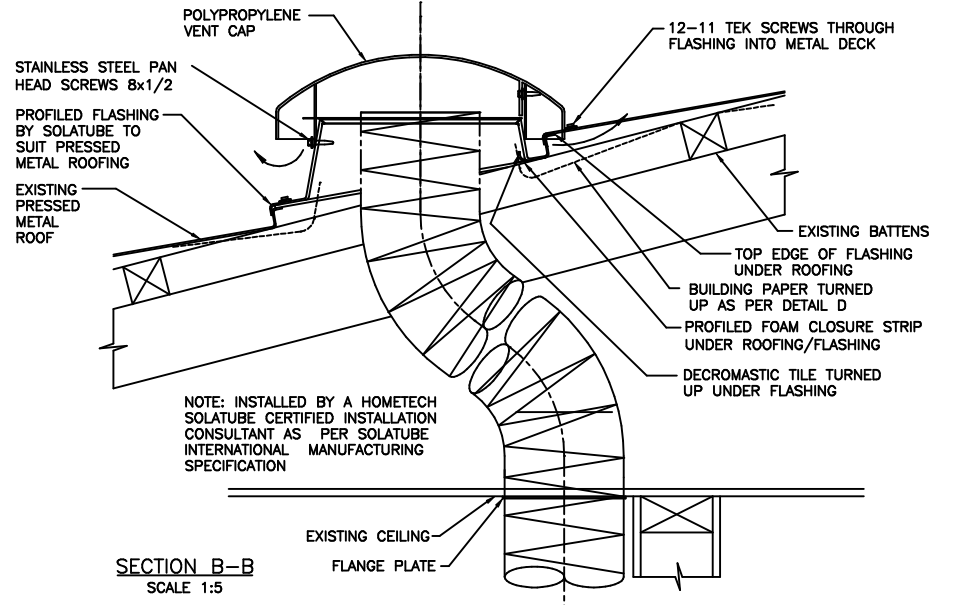


DETAIL D - 3D EXPLODED VIEW
N.T.S.

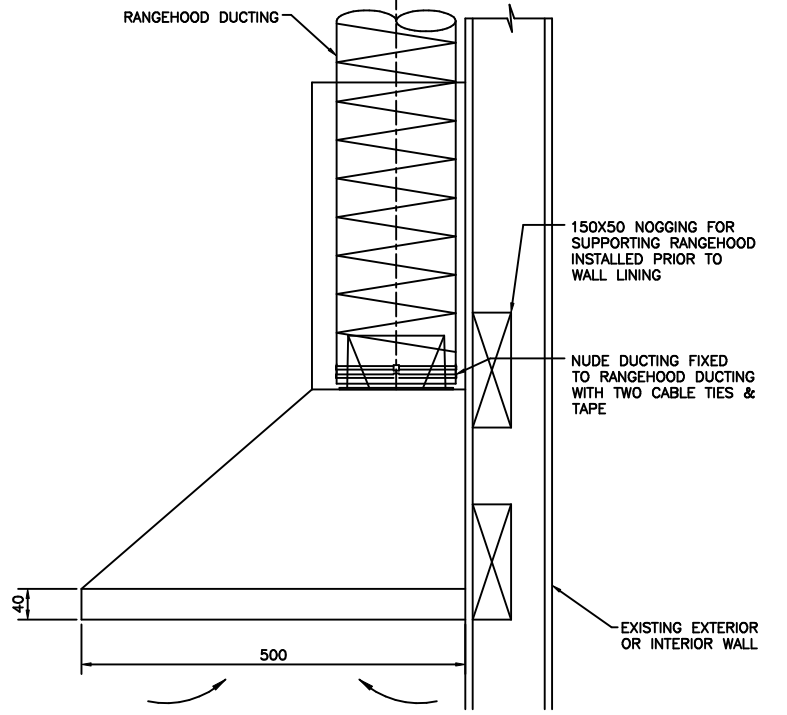


NOTE: INSTALLED BY A HOMETECH SOLATUBE CERTIFIED INSTALLATION CONSULTANT AS PER SOLATUBE INTERNATIONAL MANUFACTURING SPECIFICATION

PLAN
SCALE 1:10



SECTION B-B
SCALE 1:5



DRAWN	PCR	REVISION	C
DATE	22/10/16	SCALE	1:5,1:10,NTS
APPROVED	PN	DWG NO.	
DATE	22/10/16	RWC3CH6SS-D	