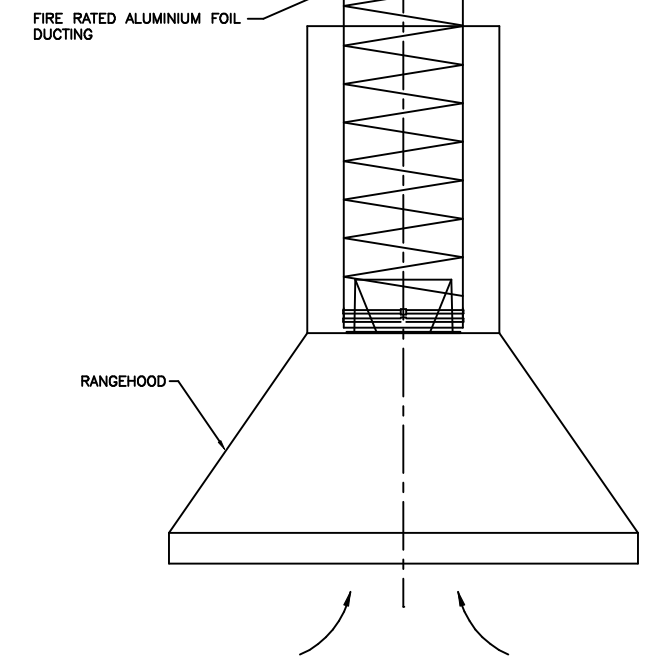
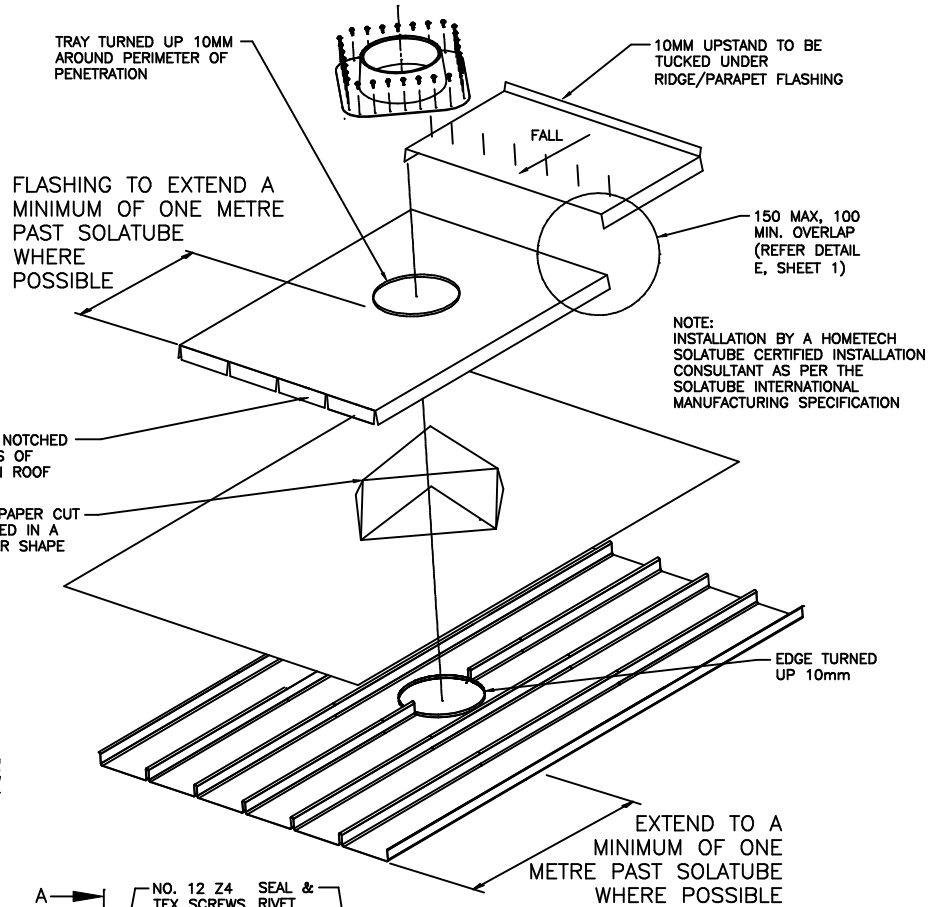


NOTE: INSTALLATION BY A HOMETECH SOLATUBE CERTIFIED INSTALLATION CONSULTANT AS PER THE SOLATUBE INTERNATIONAL MANUFACTURING SPECIFICATION

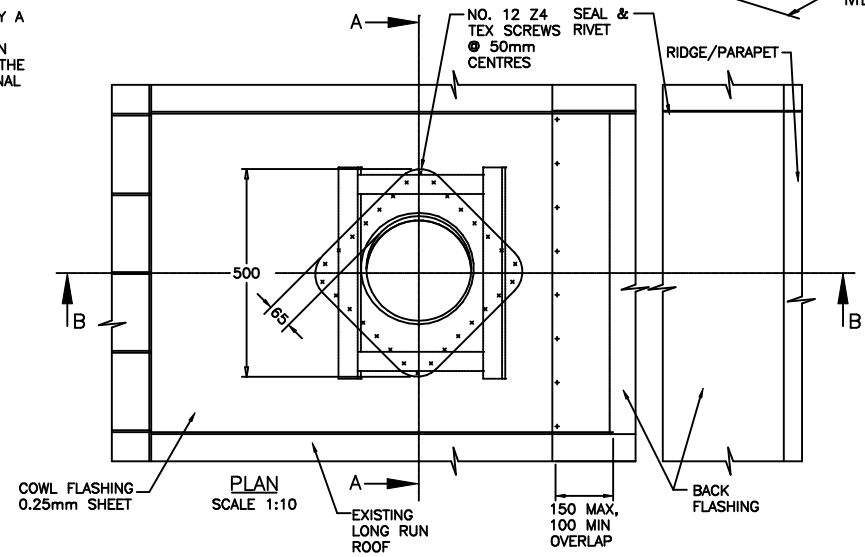
SECTION A-A  
SCALE 1:5



NOTE: INSTALLATION BY A HOMETECH SOLATUBE CERTIFIED INSTALLATION CONSULTANT AS PER THE SOLATUBE INTERNATIONAL MANUFACTURING SPECIFICATION



DETAIL C - 3D EXPLODED VIEW  
SCALE: NTS



PLAN  
SCALE 1:10

DRAWN	PCR	REVISION	C
DATE	22/10/16	SCALE	1:5,1:10,NTS
APPROVED	PN	DWG NO.	SHEET 1 OF 2
DATE	22/10/16		RWC3CH6SS-ST