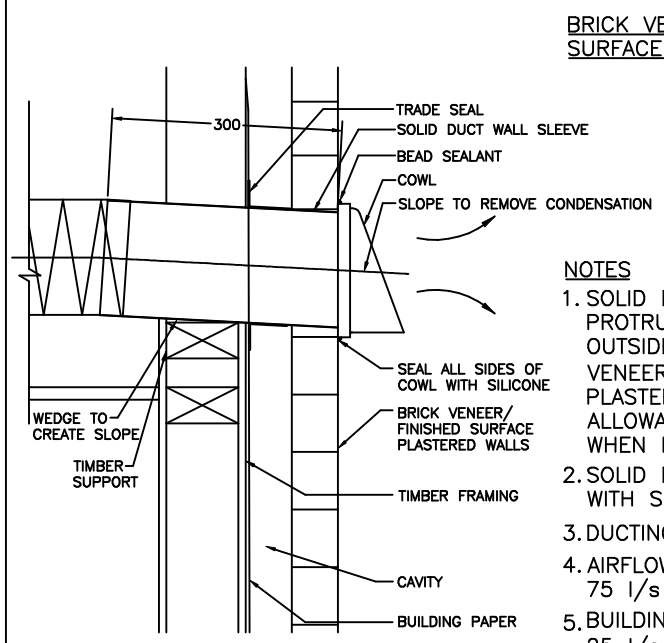
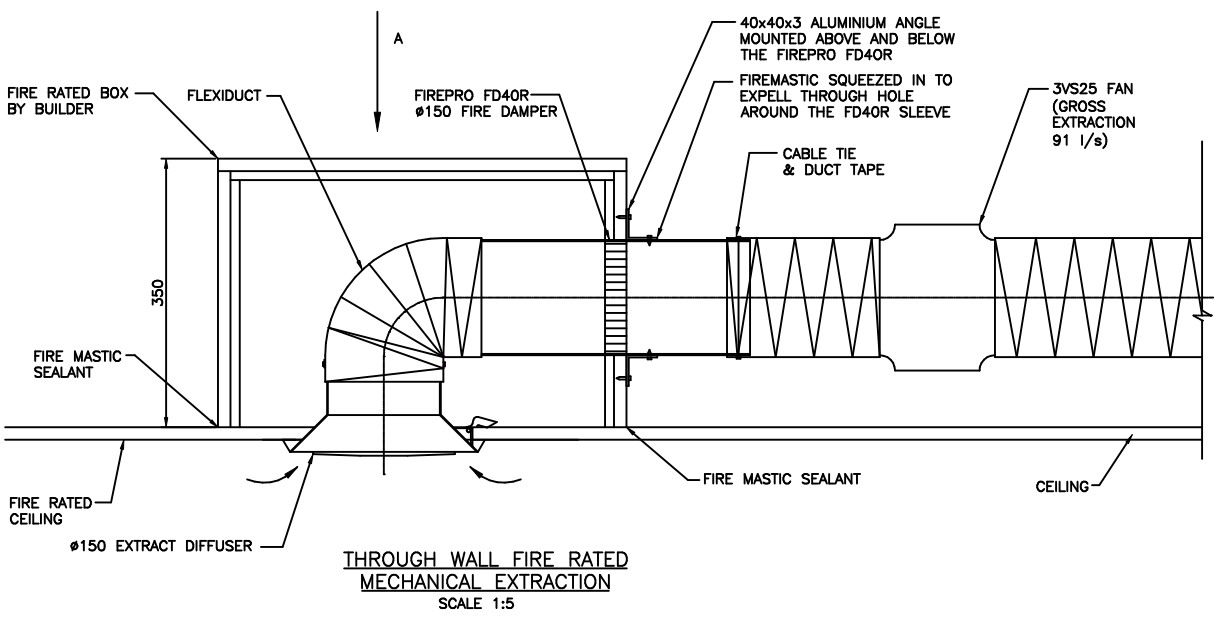


- NOTES**
1. SOLID DUCT SLEEVE PROTRUSION TO BE FLUSH WITH OUTSIDE LINE OF WEATHERBOARDS. MAKE ALLOWANCE FOR THICKNESS OF WEATHERBOARD WHEN INSTALLING WALL SLEEVE.
 2. SOLID DUCT TO BE INSTALLED WITH SLOPE TO OUTSIDE
 3. DUCTING TO BE PULLED TAUNT
 4. AIRFLOW (FREE AIR) 75 l/s
 5. BUILDING CODE REQUIREMENTS 25 l/s



- NOTES**
1. SOLID DUCT WALL SLEEVE PROTRUSION TO BE FLUSH WITH OUTSIDE LINE OF BRICK VENEER/FINISH SURFACE PLASTERED WALL. MAKE ALLOWANCE OF WALL FINISH WHEN INSTALLING WALL SLEEVE.
 2. SOLID DUCT TO BE INSTALLED WITH SLOPE TO OUTSIDE
 3. DUCTING TO BE PULLED TAUNT
 4. AIRFLOW (FREE AIR) APPROX 75 l/s
 5. BUILDING CODE REQUIREMENTS 25 l/s PER ROOM

DRAWN	PCR	REVISION	B
DATE	22/10/16	SCALE	1:5 & NTS
APPROVED	PN	DWG NO.	
DATE	22/10/16	3VS25-FR	