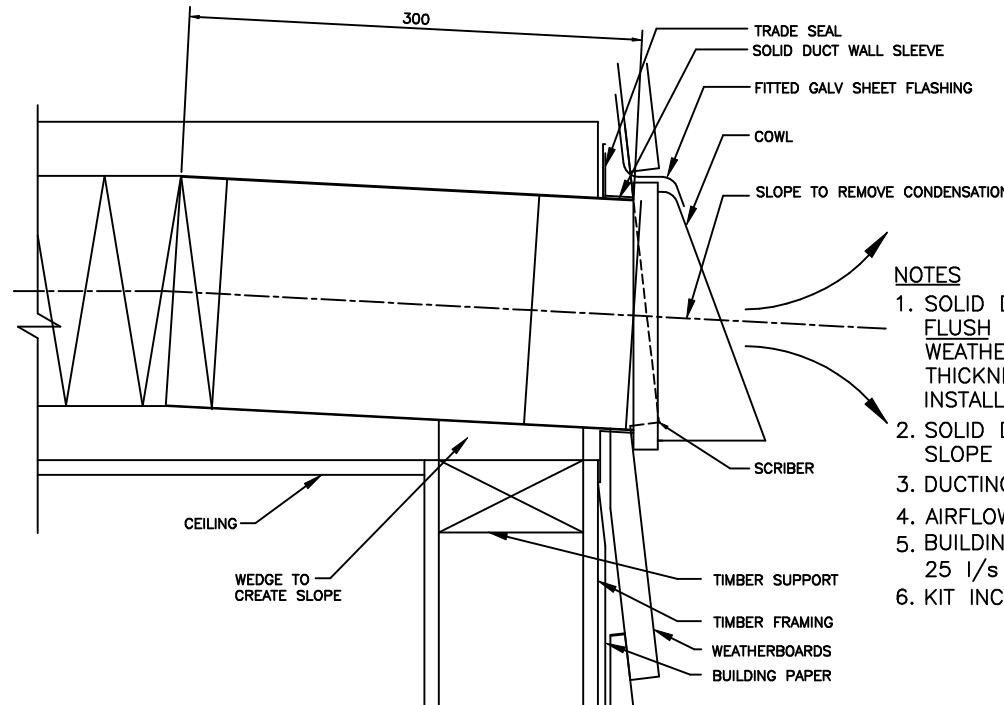


WEATHERBOARD

SCALE 1:2.5

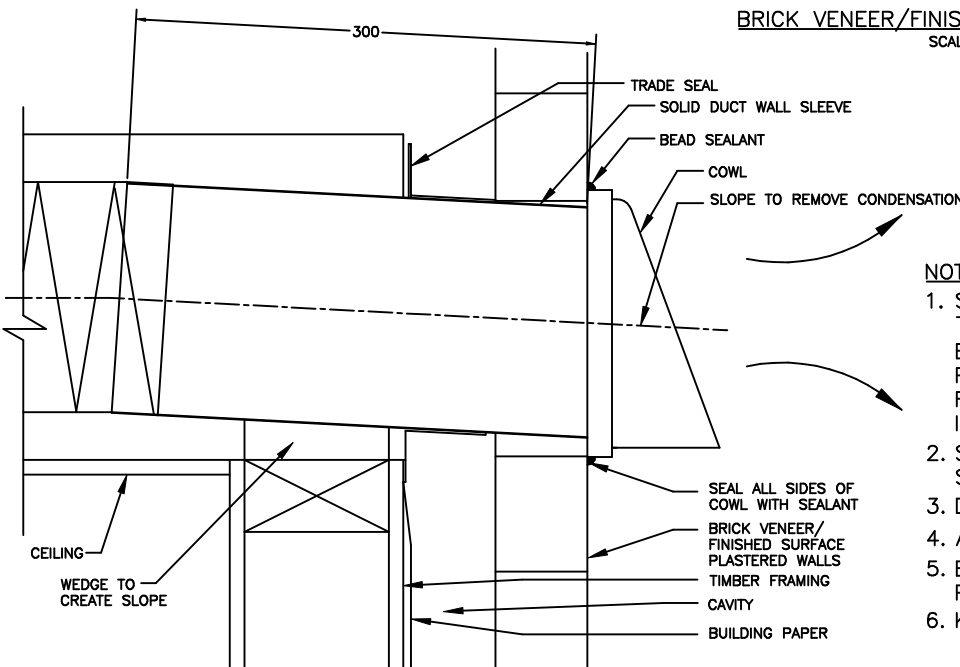


NOTES

1. SOLID DUCT SLEEVE PROTRUSION TO BE FLUSH WITH OUTSIDE LINE OF WEATHERBOARDS. MAKE ALLOWANCE FOR THICKNESS OF WEATHERBOARD WHEN INSTALLING WALL SLEEVE.
2. SOLID DUCT TO BE INSTALLED WITH SLOPE TO OUTSIDE
3. DUCTING TO BE PULLED TAUNT
4. AIRFLOW (FREE AIR) APPROX 60 l/s
5. BUILDING CODE REQUIREMENT 25 l/s PER ROOM
6. KIT INCLUDES 3M DUCTING

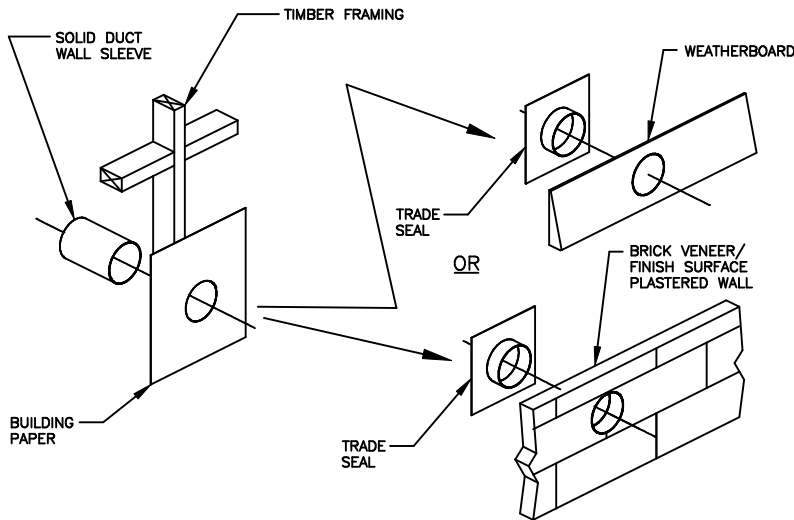
BRICK VENEER/FINISHED SURFACE PLASTERED WALL

SCALE 1:2.5



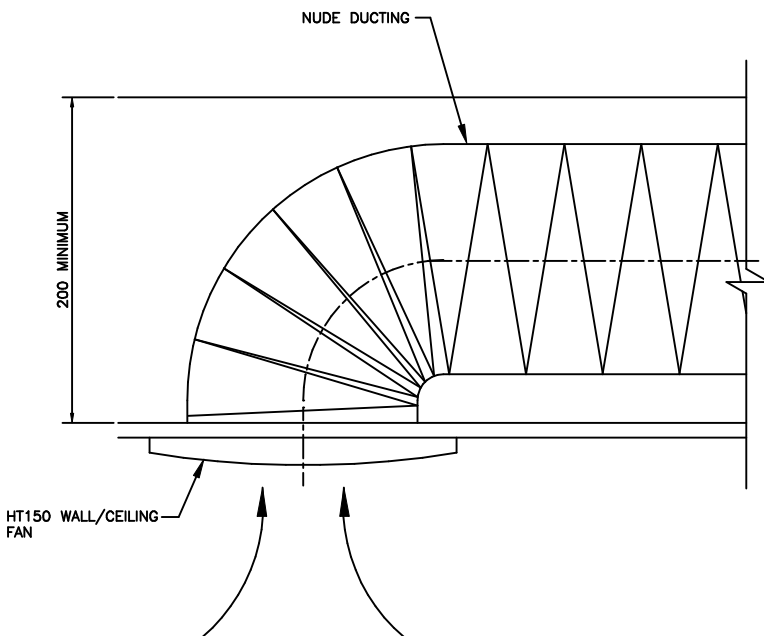
NOTES

1. SOLID DUCT WALL SLEEVE PROTRUSION TO BE FLUSH WITH OUTSIDE LINE OF BRICK VENEER/FINISHED SURFACE PLASTERED WALLS. MAKE ALLOWANCE FOR THICKNESS OF BRICK WHEN INSTALLING WALL SLEEVE.
2. SOLID DUCT TO BE INSTALLED WITH SLOPE TO OUTSIDE
3. DUCTING TO BE PULLED TAUNT
4. AIRFLOW (FREE AIR) APPROX 60 l/s
5. BUILDING CODE REQUIREMENT 25 l/s PER ROOM
6. KIT INCLUDES 3M DUCTING



EXPLODED DETAILS OF TRADE SEAL AND PENETRATION THROUGH BRICK VENEER/FINISH SURFACE PLASTERED WALL

NOT TO SCALE



HT150 CEILING/WALL MOUNTED FAN DUCTED TO EXTERIOR THROUGH WALL
 INSTALLATION FOR WEATHERBOARD/BRICK VENEER/FINISHED SURFACE PLASTERED WALL
 HOMETECH DETAIL HT150K
 INSTALLATION: INSTALLED BY A LICENCED HOMETECH INSTALLER

DRAWN	PCR	REVISION	B
DATE	22/10/16	SCALE	1:2.5, NTS
APPROVED	PN	DWG NO.	
DATE	22/10/16	HT150K	