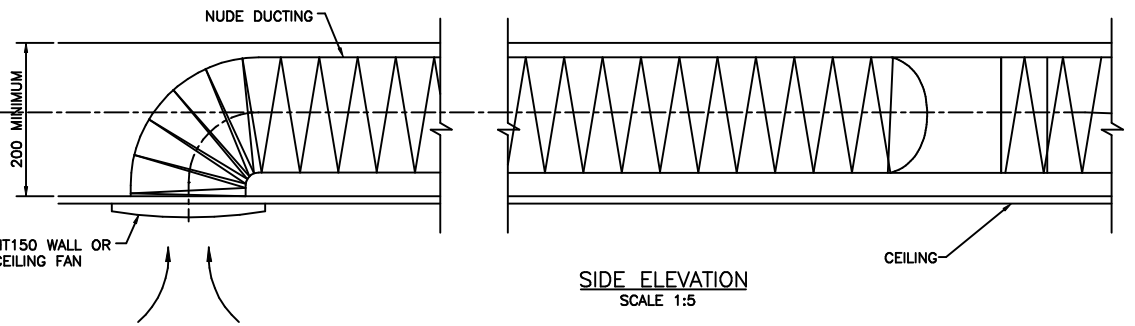
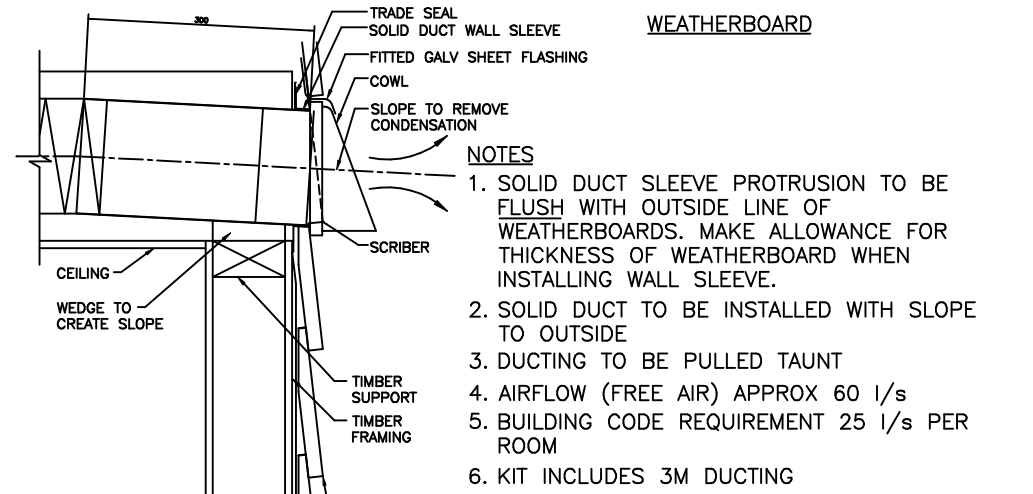


PLAN VIEW
SCALE 1:5



SIDE ELEVATION
SCALE 1:5

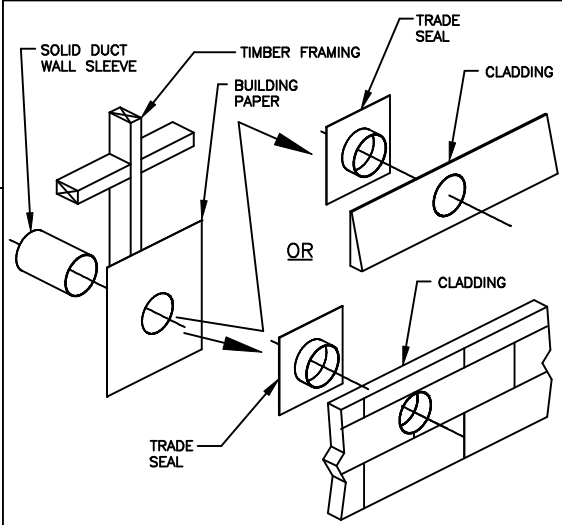
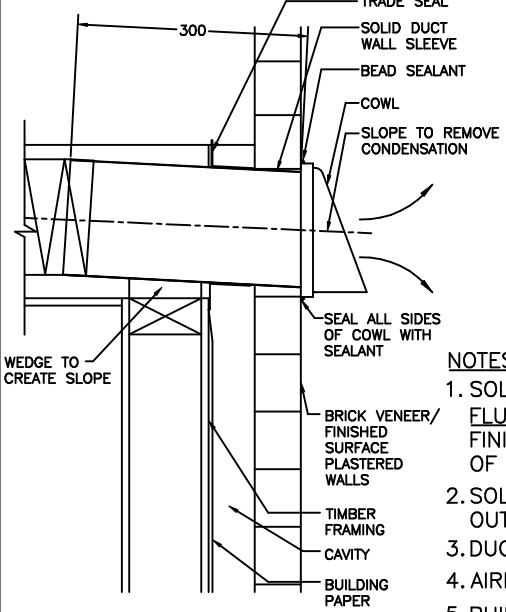


WEATHERBOARD

NOTES

1. SOLID DUCT SLEEVE PROTRUSION TO BE FLUSH WITH OUTSIDE LINE OF WEATHERBOARDS. MAKE ALLOWANCE FOR THICKNESS OF WEATHERBOARD WHEN INSTALLING WALL SLEEVE.
2. SOLID DUCT TO BE INSTALLED WITH SLOPE TO OUTSIDE
3. DUCTING TO BE PULLED TAUNT
4. AIRFLOW (FREE AIR) APPROX 60 l/s
5. BUILDING CODE REQUIREMENT 25 l/s PER ROOM
6. KIT INCLUDES 3M DUCTING

BRICK VENEER/FINISHED SURFACE PLASTERED WALL



EXPLODED DETAILS OF TRADE SEAL AND PENETRATION THROUGH WALL
NOT TO SCALE

NOTES

1. SOLID DUCT WALL SLEEVE PROTRUSION TO BE FLUSH WITH OUTSIDE LINE OF BRICK VENEER/FINISH SURFACE PLASTERED WALL. MAKE ALLOWANCE OF WALL FINISH WHEN INSTALLING WALL SLEEVE.
2. SOLID DUCT TO BE INSTALLED WITH SLOPE TO OUTSIDE
3. DUCTING TO BE PULLED TAUNT
4. AIRFLOW (FREE AIR) APPROX 60 l/s PER ROOM
5. BUILDING CODE REQUIREMENTS 25 l/s PER ROOM
6. USED WHERE CAVITY AVAILABLE E.G. LOWERED CEILING TO GIVE 200mm ROOM AVAILABLE

DRAWN	PCR	REVISION	B
DATE	22/10/16	SCALE	1:5 & NTS
APPROVED	PN	DWG NO.	
DATE	22/10/16	HT150/2	