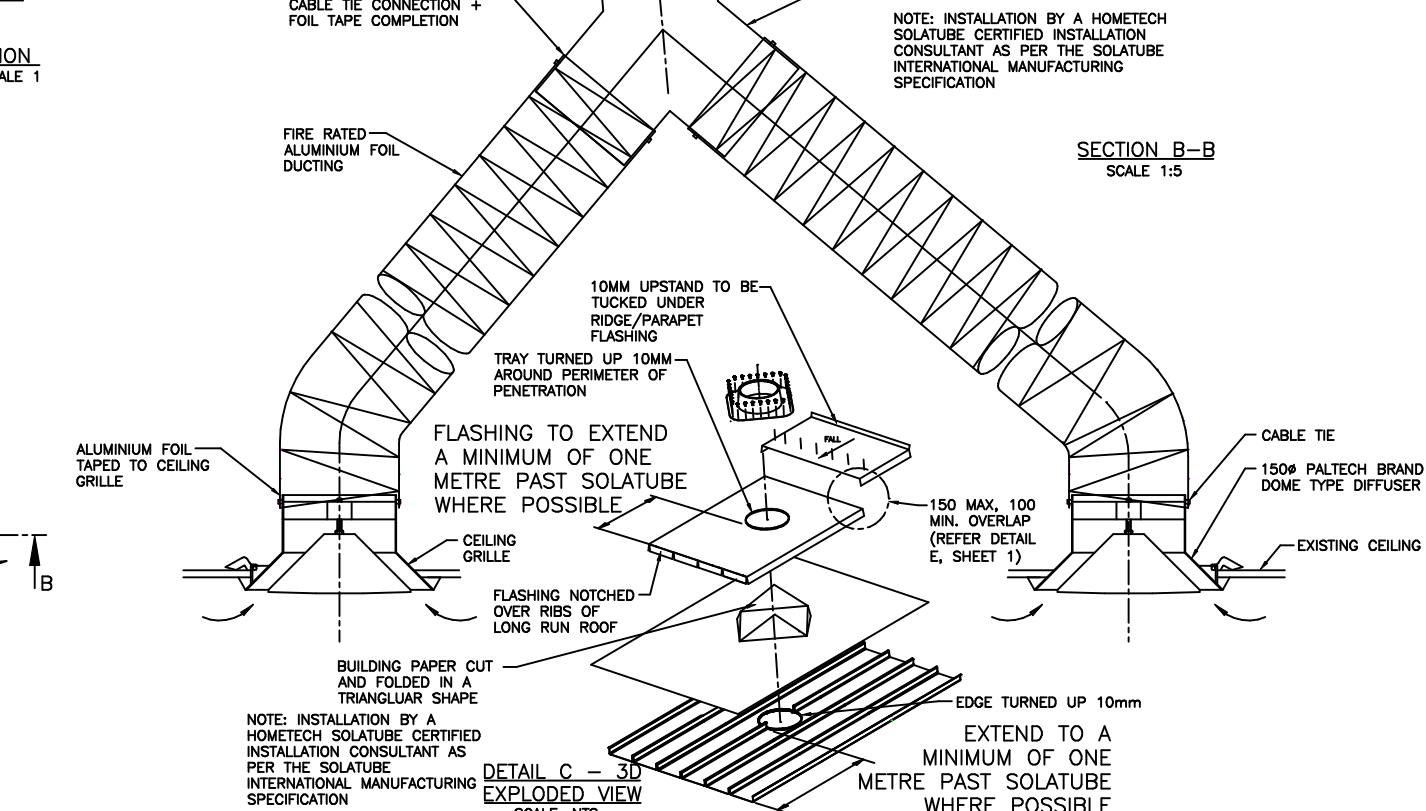
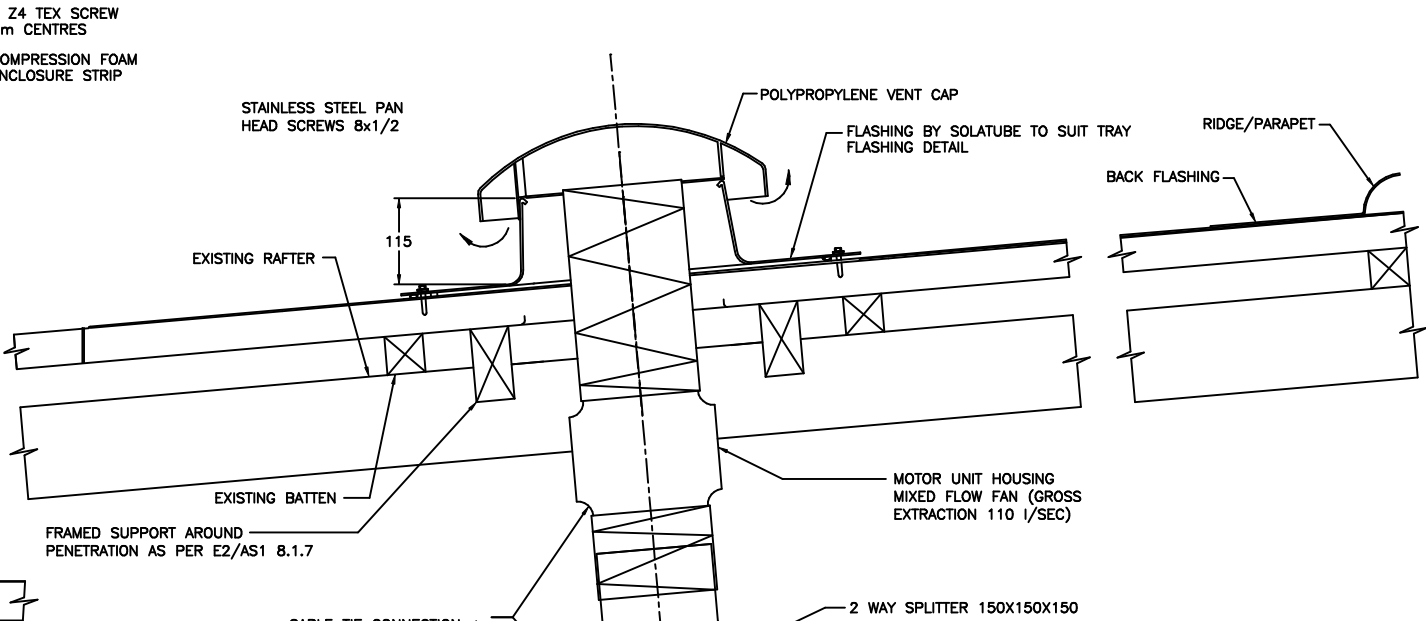
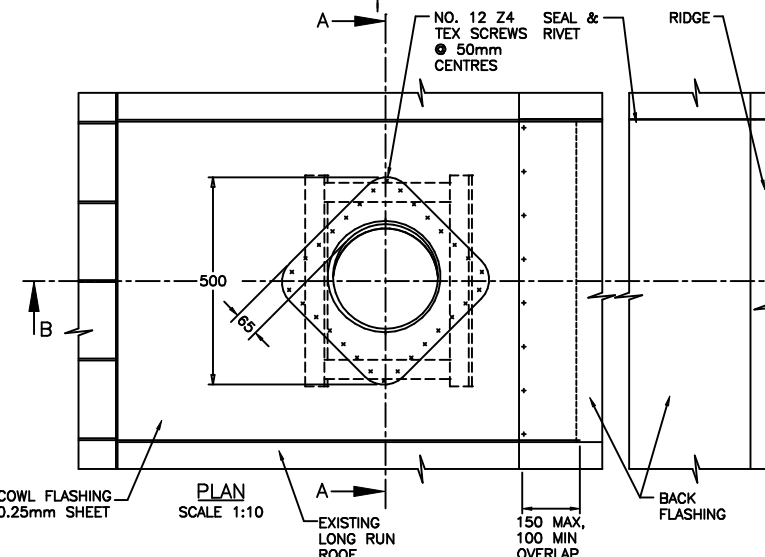
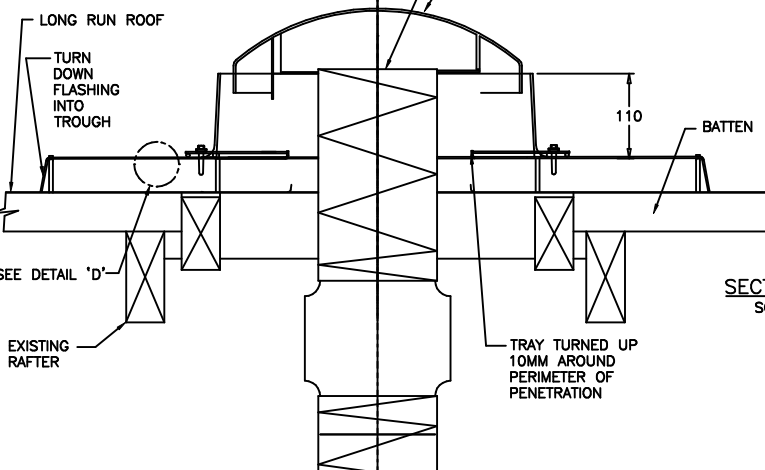


NOTE: INSTALLATION BY A HOMETECH SOLATUBE CERTIFIED INSTALLATION CONSULTANT AS PER THE SOLATUBE INTERNATIONAL MANUFACTURING SPECIFICATION



DRAWN	PCR	REVISION	C
DATE	22/10/16	SCALE	1:5, 1:10, NTS
APPROVED	PN	DWG NO.	
DATE	22/10/16		VS3003-ST