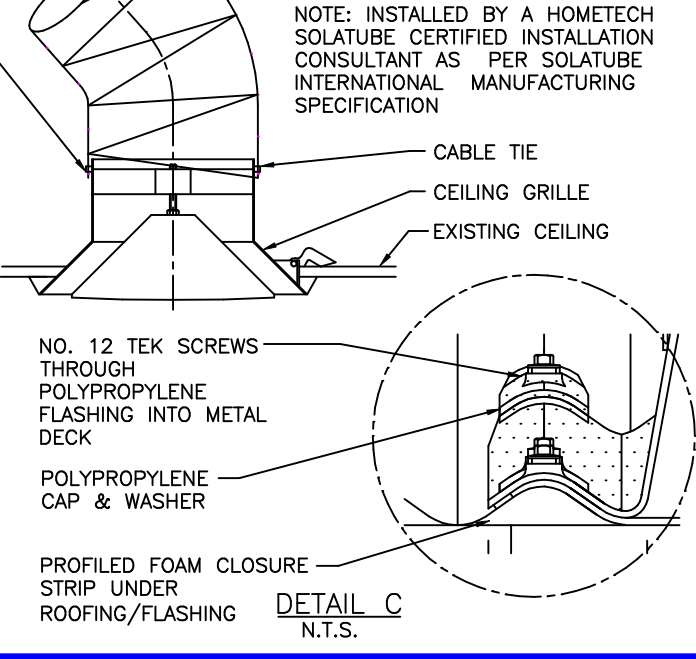
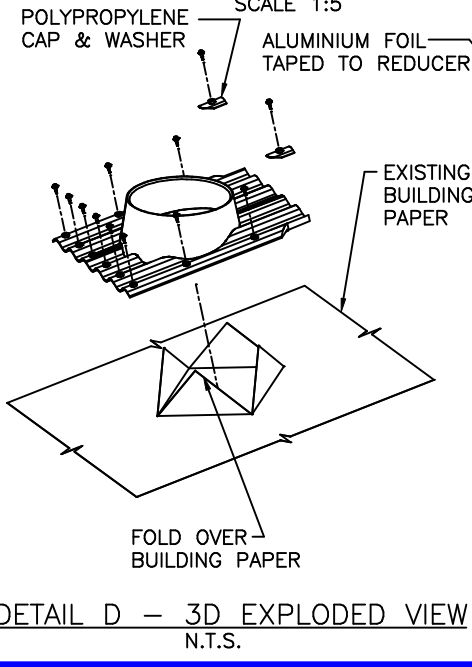
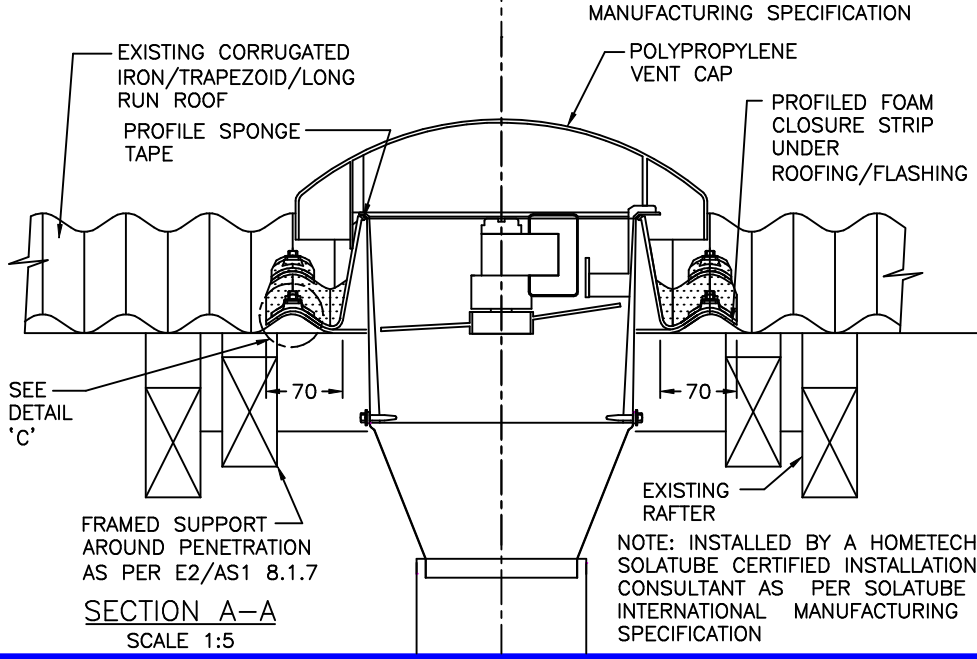
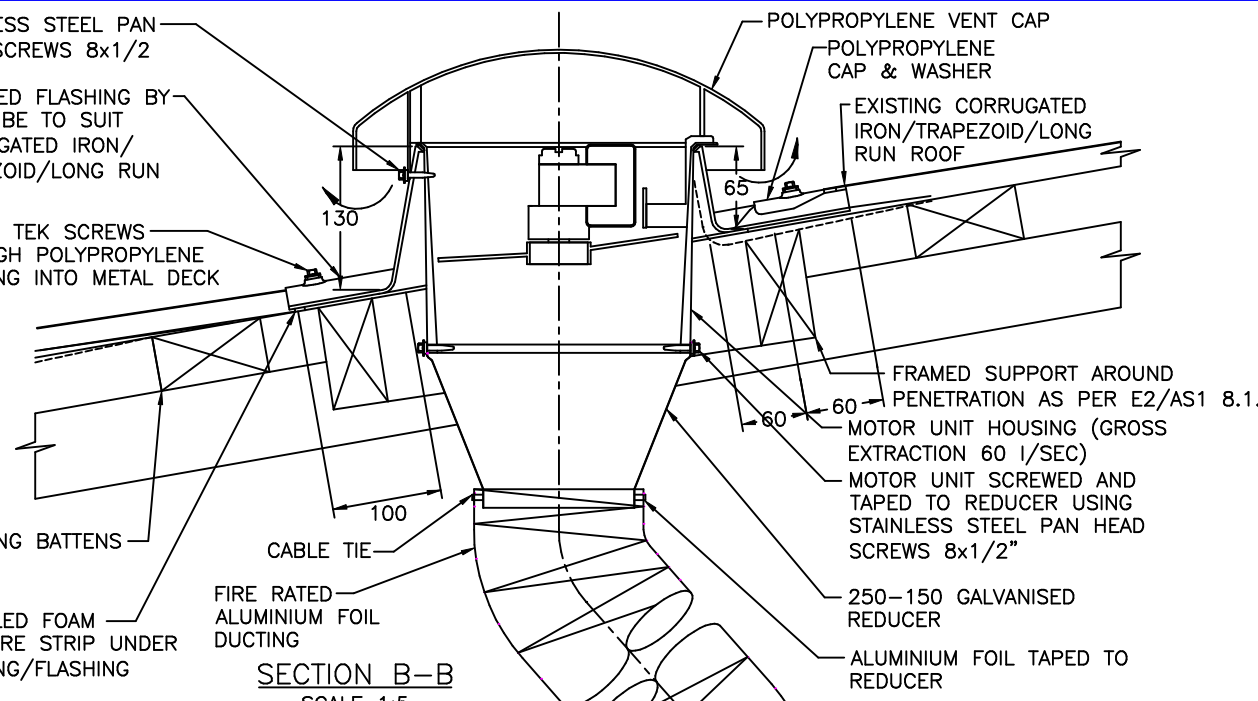


STAINLESS STEEL PAN HEAD SCREWS 8x1/2  
 PROFILED FLASHING BY SOLATUBE TO SUIT CORRUGATED IRON/TRAPEZOID/ LONG RUN ROOF  
 NO. 12 TEK SCREWS THROUGH POLYPROPYLENE FLASHING INTO METAL DECK



PHONE: 0800 466-383  
 WEB: www.homotech.co.nz

**VS3004 150Ø MECHANICAL VENTILATION**  
**INSTALLATION FOR CORRUGATED IRON/LONG RUN ROOF - 52l/s @ 2m DUCT**  
 INSTALLATION: INSTALLED BY A HOMETECH SOLATUBE CERTIFIED INSTALLATION CONSULTANT AS PER SOLATUBE INTERNATIONAL MANUFACTURING SPECIFICATION ● 2011 HomeTech Ltd

DRAWN	PCR	REVISION	G
DATE	22/10/16	SCALE	1:5,1:10,NTS
APPROVED	PN	DWG NO.	VS3004-C
DATE	22/10/16		