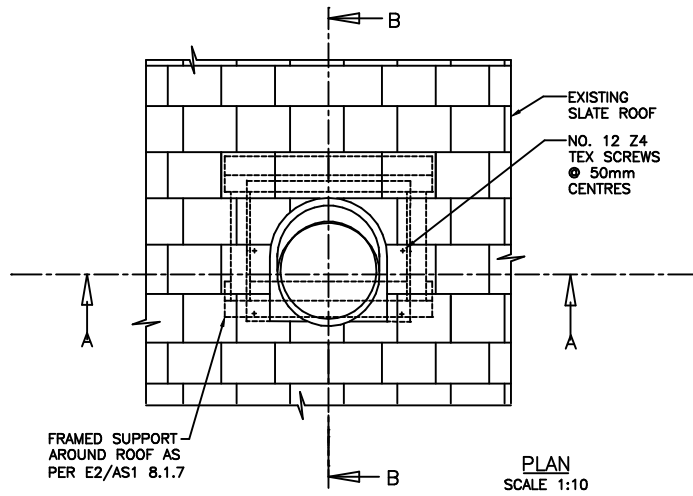


NOTE: INSTALLED BY A HOMETECH SOLATUBE CERTIFIED INSTALLATION CONSULTANT AS PER SOLATUBE INTERNATIONAL MANUFACTURING SPECIFICATION

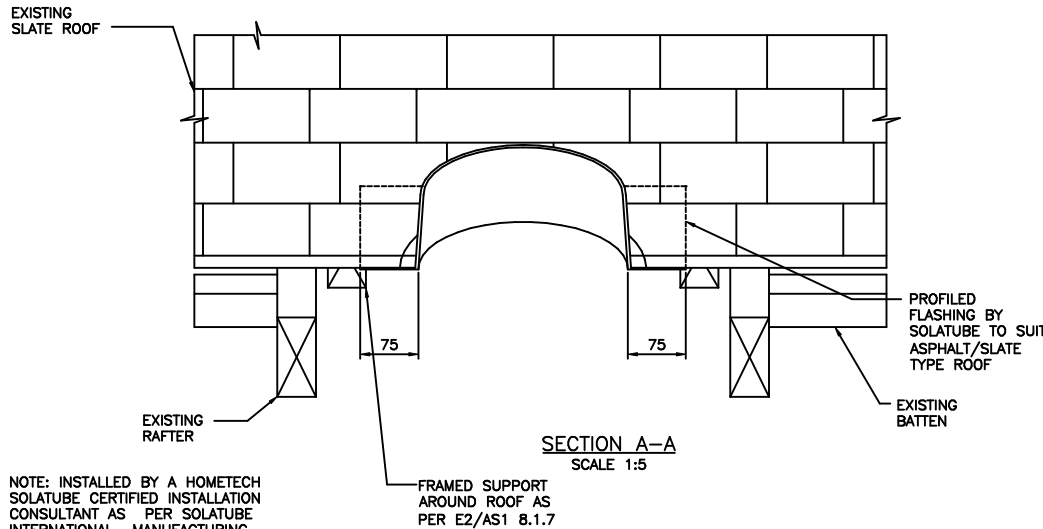
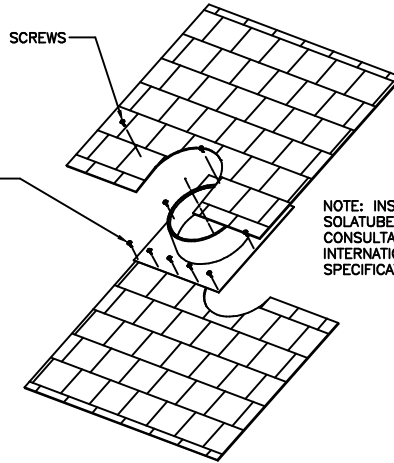


NO. 12 Z4 TEX SCREWS

FLASHING FIXED WITH TEX SCREWS INTO PLYWOOD SHEET

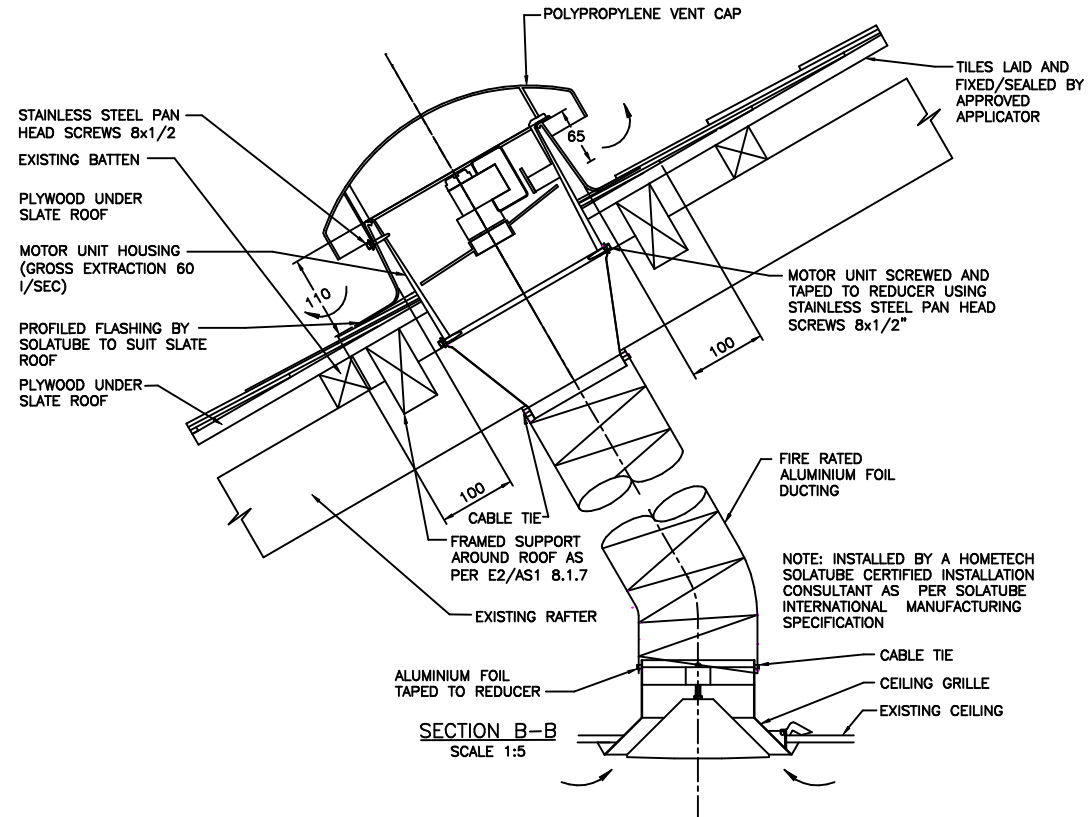
DETAIL C - 3D EXPLODED VIEW
SCALE: NTS

NOTE: INSTALLED BY A HOMETECH SOLATUBE CERTIFIED INSTALLATION CONSULTANT AS PER SOLATUBE INTERNATIONAL MANUFACTURING SPECIFICATION



NOTE: INSTALLED BY A HOMETECH SOLATUBE CERTIFIED INSTALLATION CONSULTANT AS PER SOLATUBE INTERNATIONAL MANUFACTURING SPECIFICATION

FRAMED SUPPORT AROUND ROOF AS PER E2/AS1 8.1.7



SECTION B-B
SCALE 1:5

NOTE: INSTALLED BY A HOMETECH SOLATUBE CERTIFIED INSTALLATION CONSULTANT AS PER SOLATUBE INTERNATIONAL MANUFACTURING SPECIFICATION



PHONE: 0800 466-383
WEB: www.hometech.co.nz



VS3004 150 ϕ MECHANICAL VENTILATION
INSTALLATION FOR CORRUGATED IRON/LONG RUN ROOF - 52l/s @ 2m DUCT

INSTALLATION: INSTALLED BY A HOMETECH SOLATUBE CERTIFIED INSTALLATION CONSULTANT AS PER SOLATUBE INTERNATIONAL MANUFACTURING SPECIFICATION ● 2011 HomeTech Ltd

DRAWN	PCR	REVISION	D
DATE	22/10/16	SCALE	1:5,1:10,NTS
APPROVED	PN	DWG NO.	
DATE	22/10/16		VS3004-S