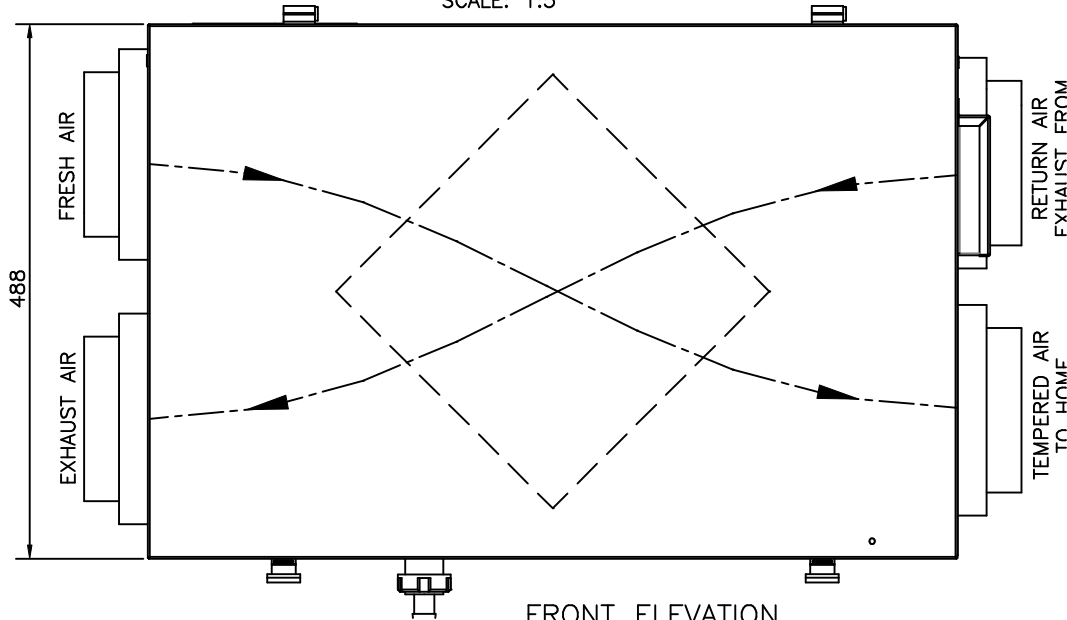
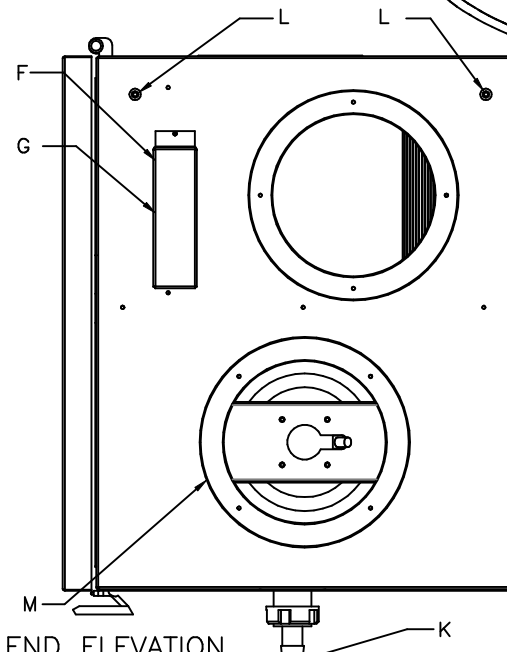


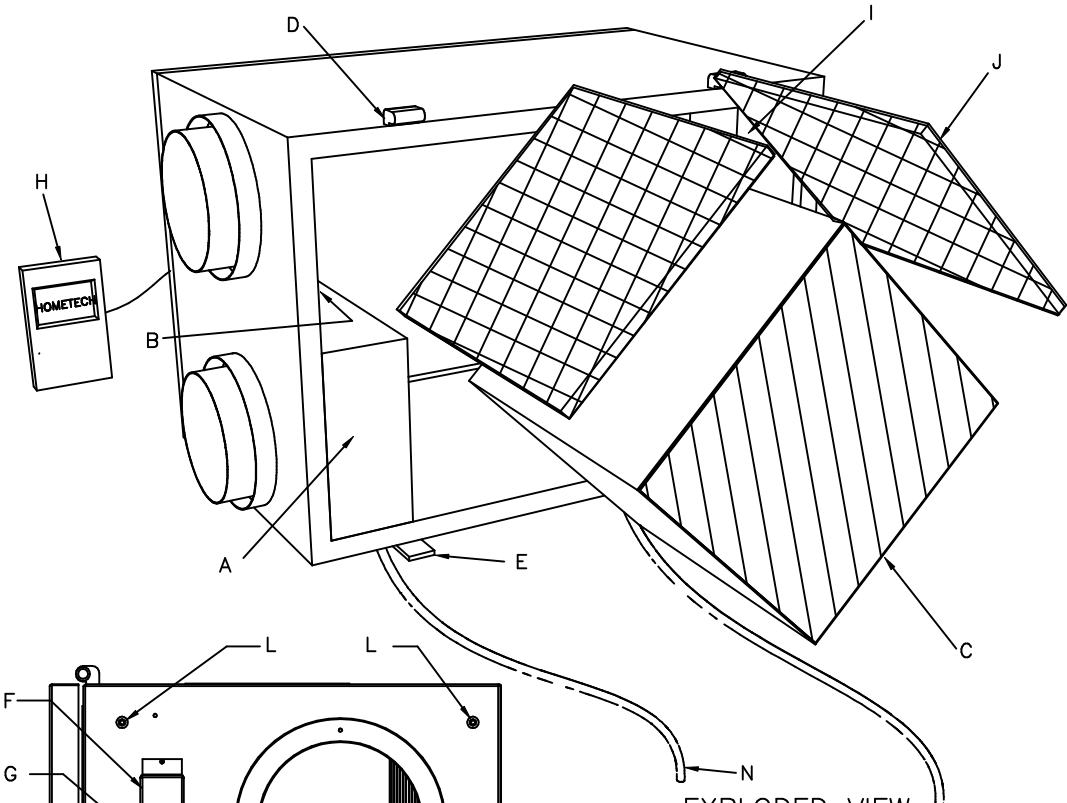
PLAN
SCALE: 1:5



FRONT ELEVATION
SCALE: 1:5



END ELEVATION
SCALE: 1:5



EXPLODED VIEW
N.T.S

FEATURES	
A	BACKWARD CURVE, DUAL INLET IMPELLER (2)
B	TEMPERATURE SENSOR
C	HEAT EXCHANGER CORE
D	LATCH (4)
E	HINGE (4)
F	ELECTRICAL CONNECTION - CORD
G	CONTROL TERMINALS
H	HUMIDITY CONTROLLER
I	ELECTRICAL BOX
J	FILTERS (2)
K	9.5MM DRAINS (2)
L	HANGER MOUNTS (4)
M	DUCT COLLARS 6"
N	DRAIN HOSE

DRAWN	PCR	REVISION	B
DATE	22/10/16	SCALE	1:5,NTS
APPROVED	PN	DWG NO.	ERS170
DATE	22/10/16		