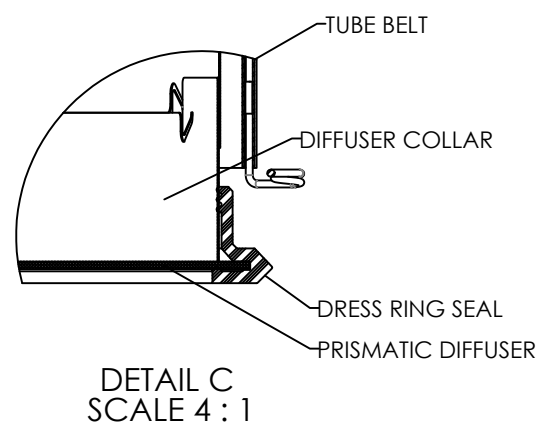
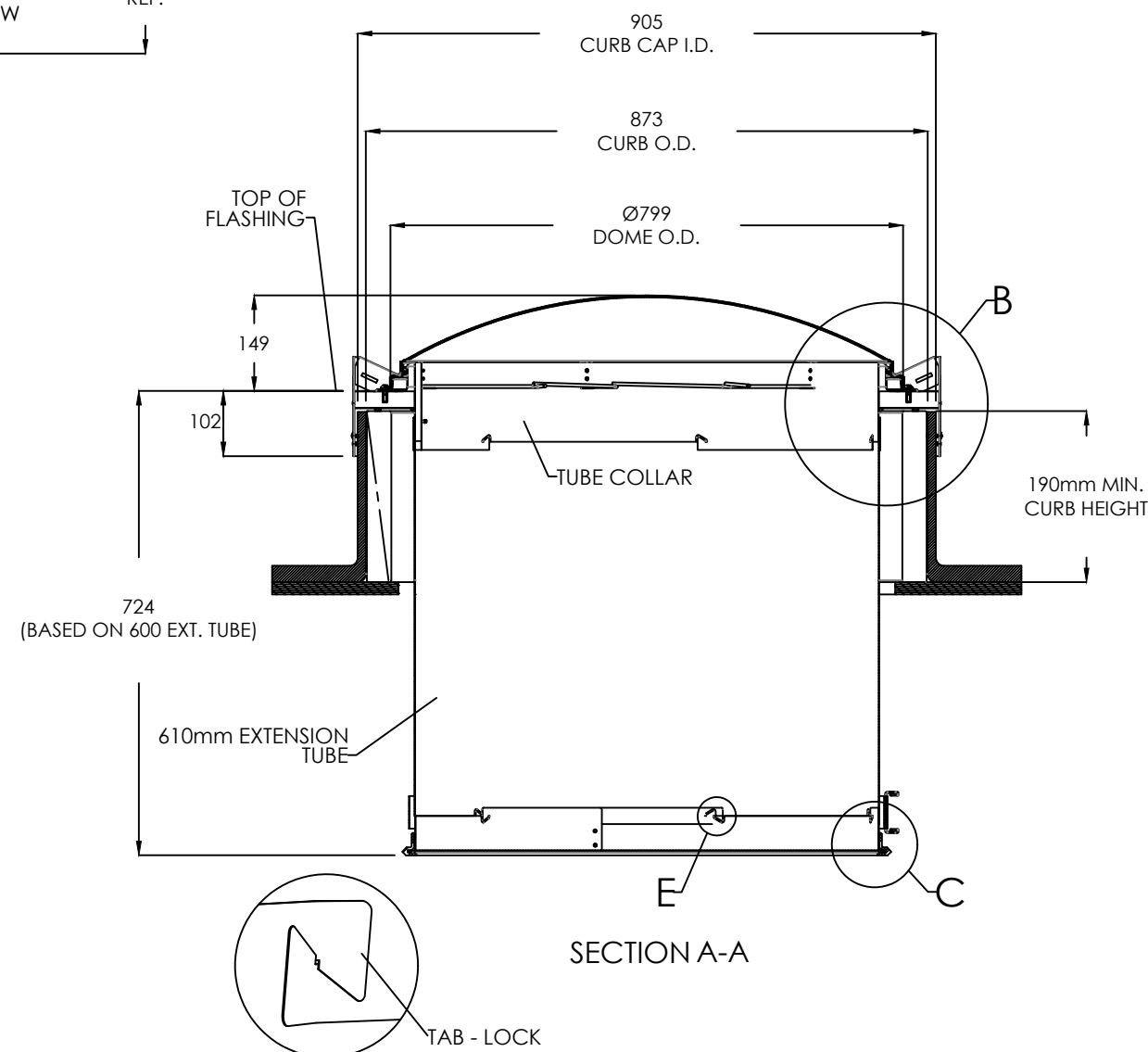


DETAIL B
SCALE 3 : 1

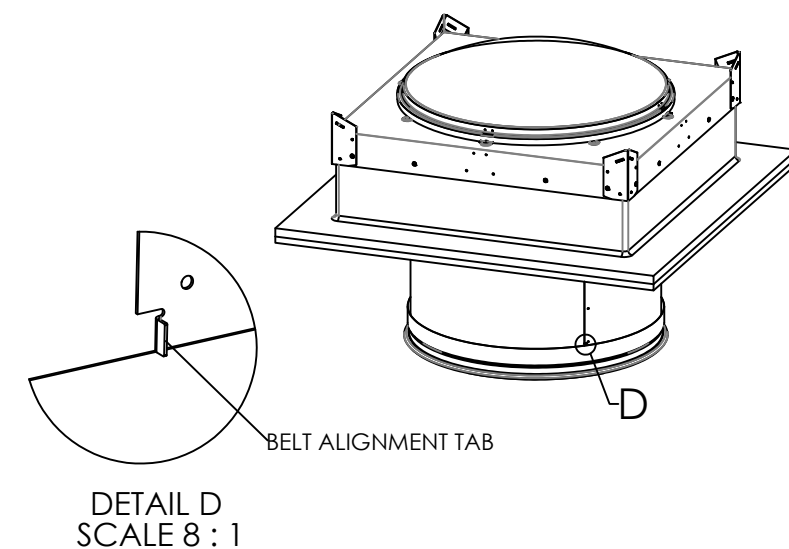
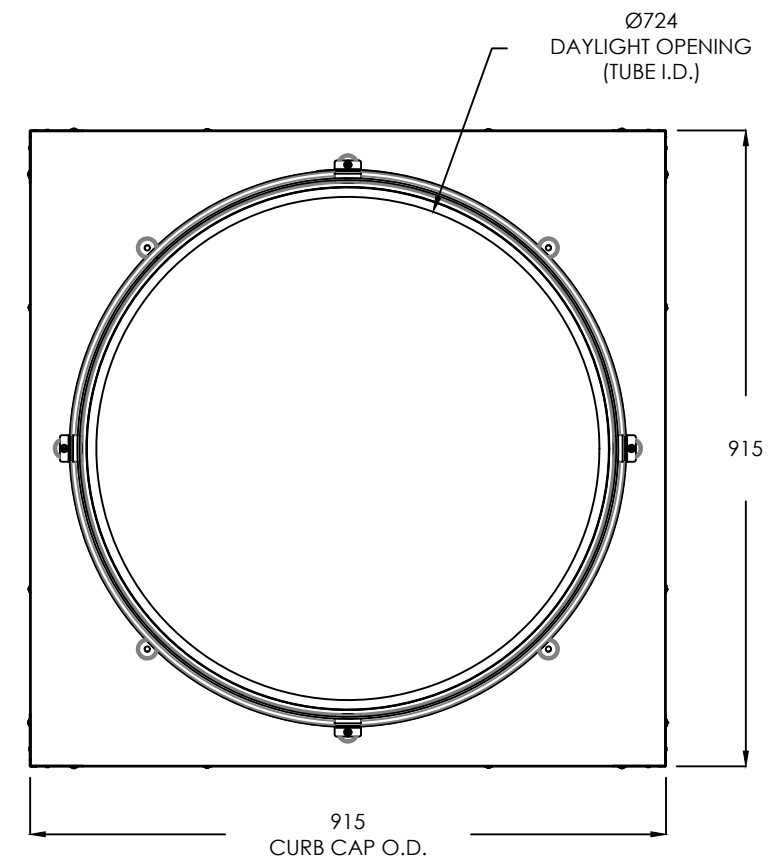


DETAIL C
SCALE 4 : 1



SECTION A-A

DETAIL E
SCALE 8 : 1



DETAIL D
SCALE 8 : 1

NOTES:

1. STRUCTURAL ELEMENTS (PLYWOOD, RAFTERS, DRYWALL ETC.) BY OTHERS & SHOWN FOR REFERENCE ONLY.
2. DIMENSIONS IN MILLIMETRES UNLESS OTHERWISE SPECIFIED.
3. 150mm MIN CLEARANCE SHOULD BE MAINTAINED FROM ALL SOLATUBE COMPONENTS AND OTHER PLENUM COMPONENTS.
4. CURB CORNER TO CORNER MEASUREMENT SHALL BE EQUIVALENT TO WITHIN 2.4mm.



homotech™
Better spaces. Better lives.

WEB: www.homotech.co.nz



SOLATUBE.
Innovation in Daylighting™

Copyright
Trademarks and Patents registered.

Authorised Distributor
Homotech Limited: New Zealand.

Solatube® M74 DS-O Curb Cap Flashing Open Ceiling, with Single-Glazed Dome

INSTALLATION: INSTALLED BY A HOMETECH CERTIFIED INSTALLATION CONSULTANT AS PER

SOLATUBE MANUFACTURING SPECIFICATION

© 2011 Homotech Ltd

DRAWN	PF	REVISION	A
DATE	12/03/19	SCALE	NTS
APPROVED	--	DWG NO.	M74-OS-SGD
DATE	--/--/--		