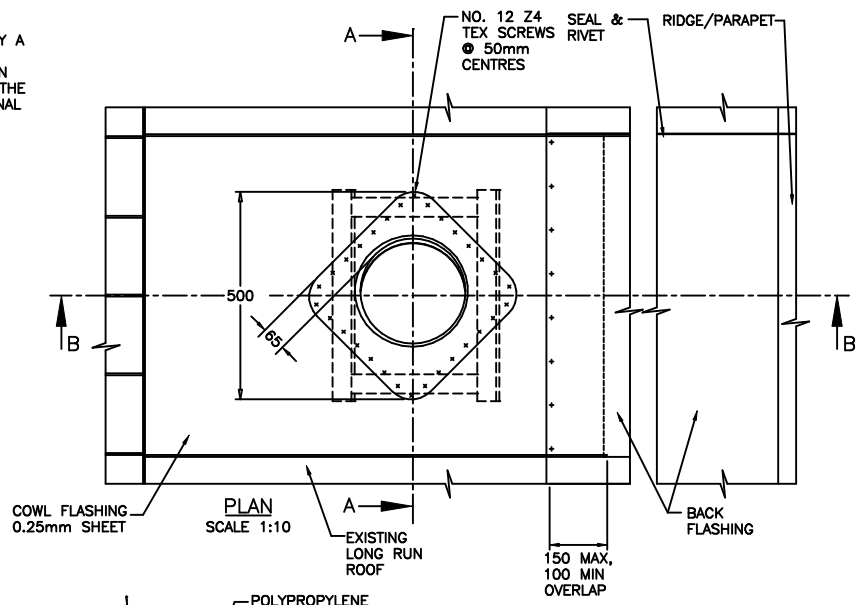


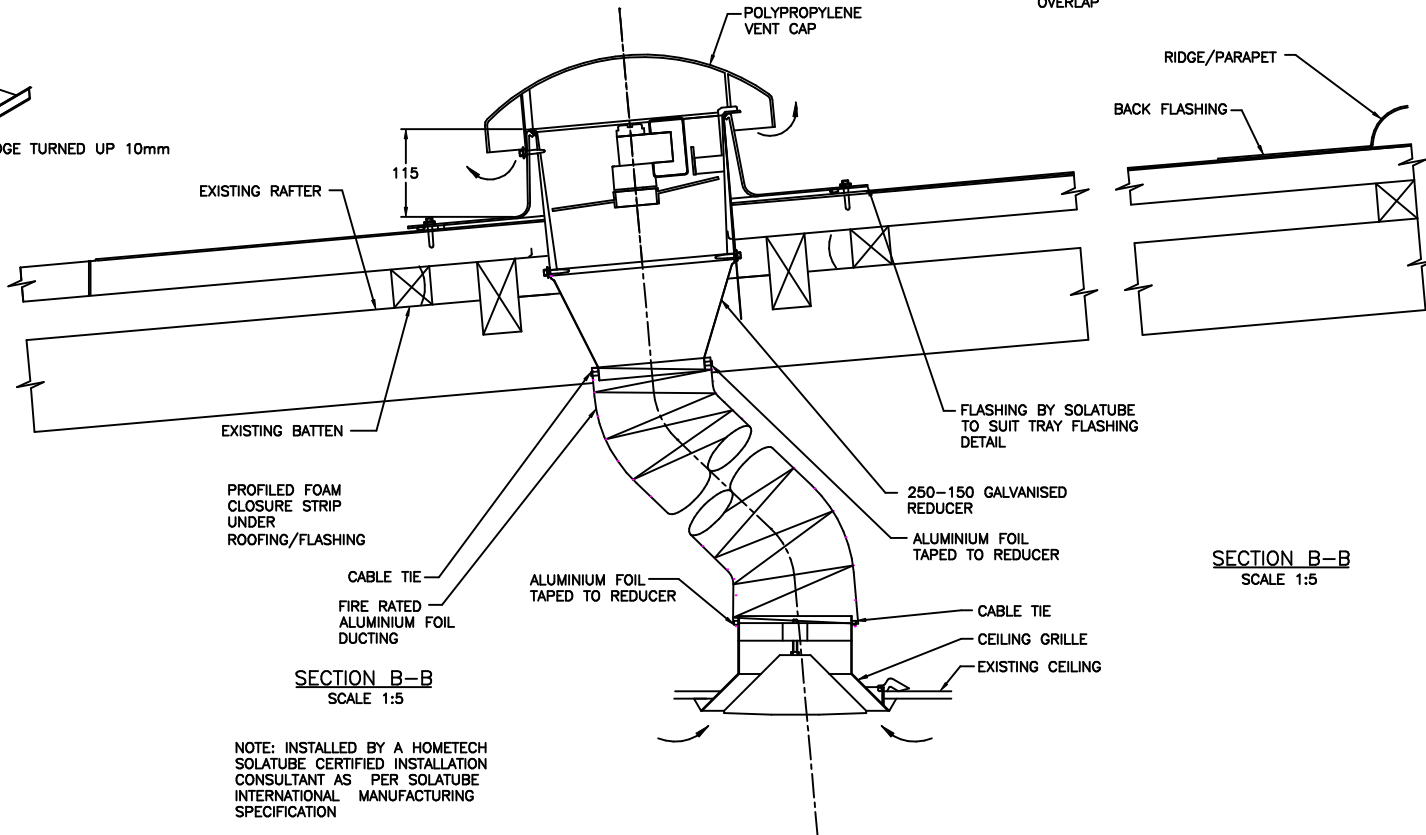
DETAIL C - 3D EXPLODED VIEW
SCALE: NTS

NOTE: INSTALLATION BY A HOMETECH SOLATUBE CERTIFIED INSTALLATION CONSULTANT AS PER THE SOLATUBE INTERNATIONAL MANUFACTURING SPECIFICATION

NOTE: INSTALLATION BY A HOMETECH SOLATUBE CERTIFIED INSTALLATION CONSULTANT AS PER THE SOLATUBE INTERNATIONAL MANUFACTURING SPECIFICATION



PLAN
SCALE 1:10



SECTION B-B
SCALE 1:5

SECTION B-B
SCALE 1:5

NOTE: INSTALLED BY A HOMETECH SOLATUBE CERTIFIED INSTALLATION CONSULTANT AS PER SOLATUBE INTERNATIONAL MANUFACTURING SPECIFICATION

DRAWN	PCR	REVISION	C
DATE	22/10/16	SCALE	1:5, 1:10, NTS
APPROVED	PN	DWG NO.	SHEET 3 OF 3
DATE	22/10/16		290DS-VS3004-ST