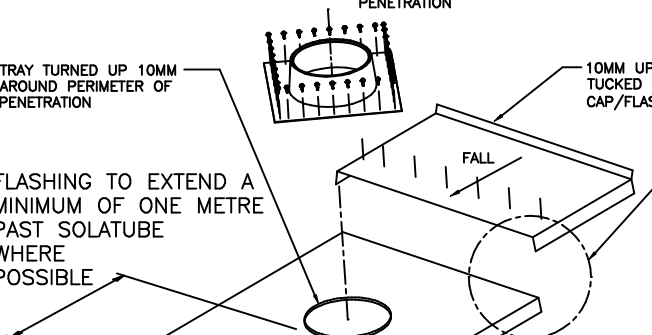
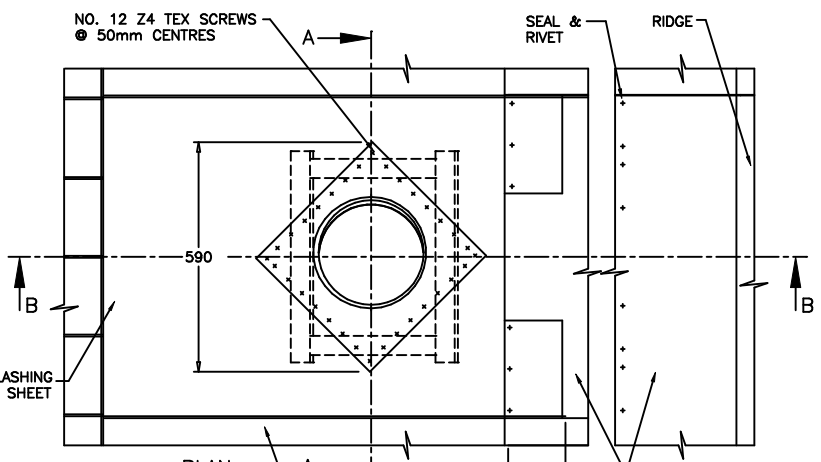
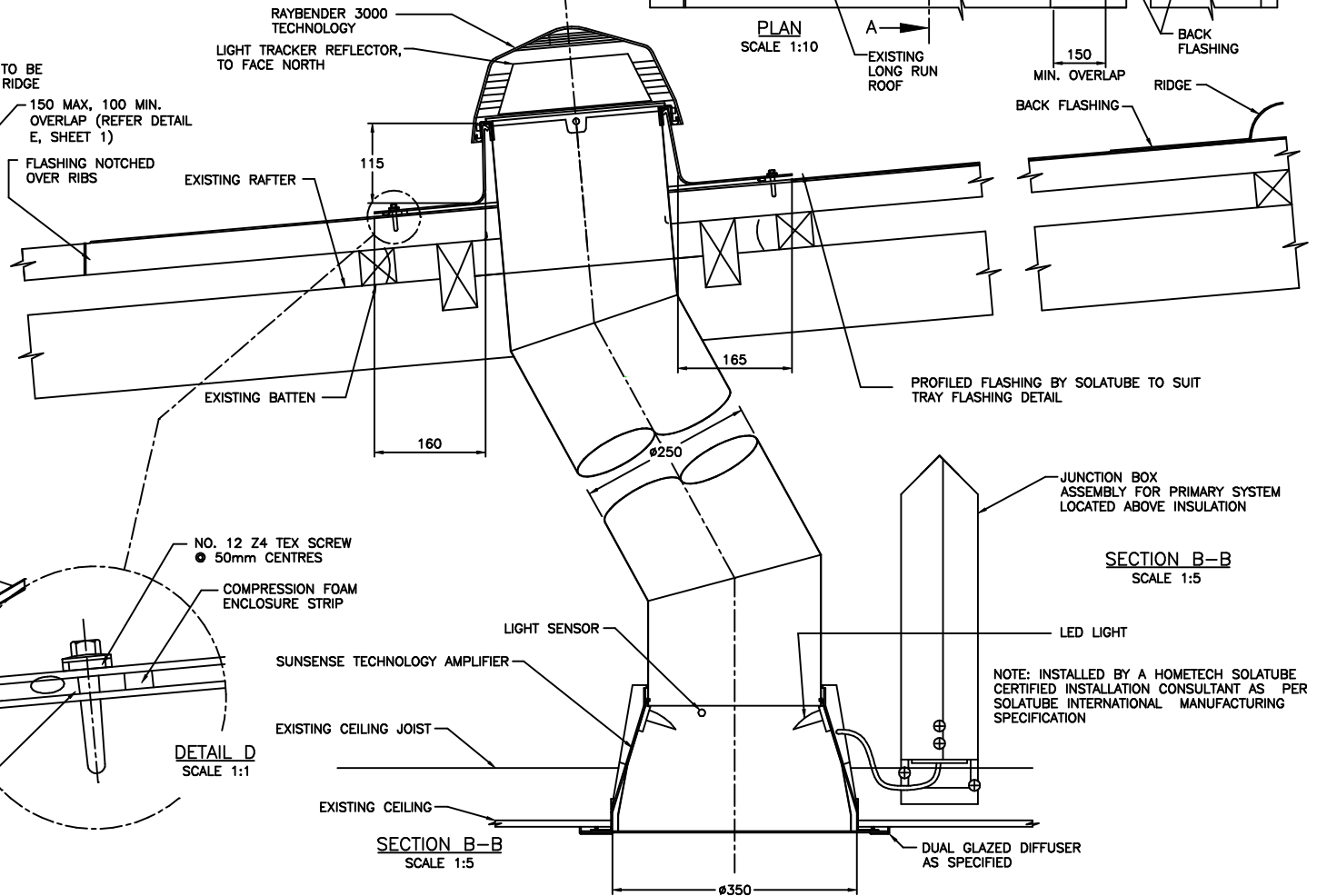


NOTE: INSTALLATION BY A HOMETECH SOLATUBE CERTIFIED INSTALLATION CONSULTANT AS PER THE SOLATUBE INTERNATIONAL MANUFACTURING SPECIFICATION

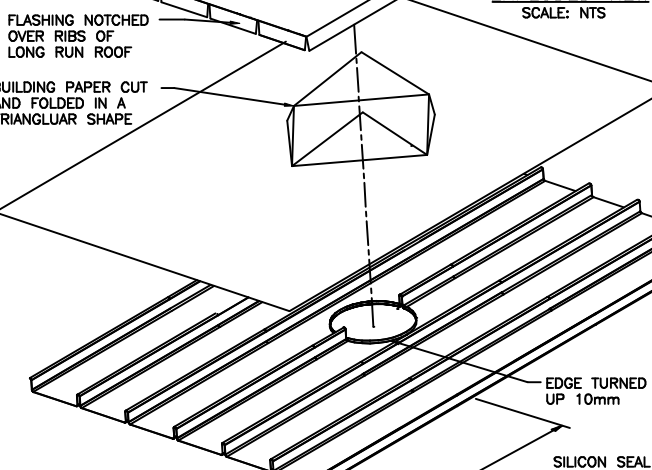
NOTE: INSTALLATION BY A HOMETECH SOLATUBE CERTIFIED INSTALLATION CONSULTANT AS PER THE SOLATUBE INTERNATIONAL MANUFACTURING SPECIFICATION



DETAIL C - 3D EXPLODED VIEW
SCALE: NTS



SECTION B-B
SCALE 1:5



DETAIL D
SCALE 1:1

NOTE: INSTALLATION BY A HOMETECH SOLATUBE CERTIFIED INSTALLATION CONSULTANT AS PER THE SOLATUBE INTERNATIONAL MANUFACTURING SPECIFICATION

EXTEND TO A MINIMUM OF ONE METRE PAST SOLATUBE WHERE POSSIBLE

DRAWN	PCR	REVISION	C
DATE	21/10/16	SCALE	1:5,1:10,NTS
APPROVED	PN	DWG NO.	160DS-LED-ST
DATE	21/10/16		