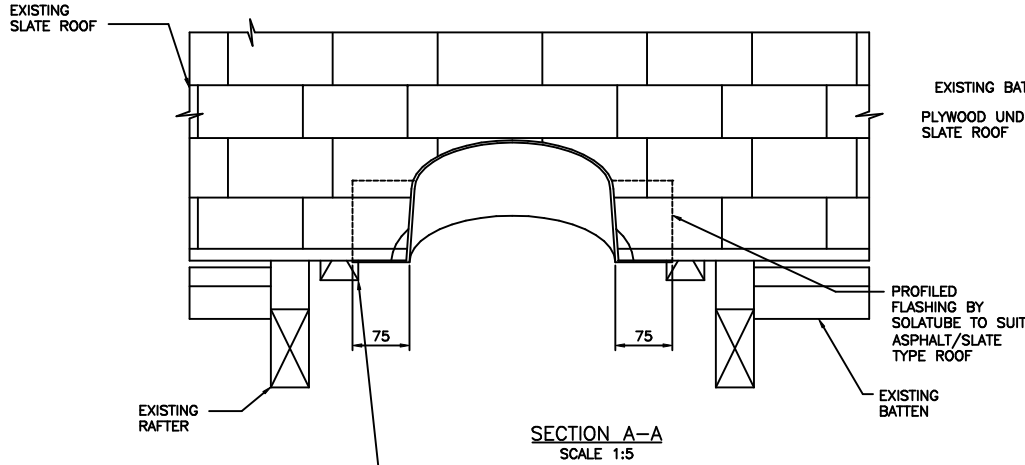
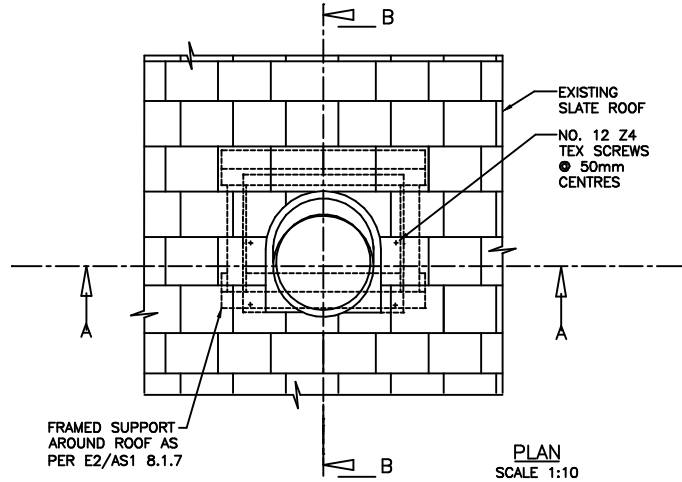


NOTE: INSTALLED BY A HOMETECH SOLATUBE CERTIFIED INSTALLATION CONSULTANT AS PER SOLATUBE INTERNATIONAL MANUFACTURING SPECIFICATION



NOTE: INSTALLED BY A HOMETECH SOLATUBE CERTIFIED INSTALLATION CONSULTANT AS PER SOLATUBE INTERNATIONAL MANUFACTURING SPECIFICATION

FRAMED SUPPORT AROUND ROOF AS PER E2/AS1 8.1.7

NO. 12 Z4 TEX SCREWS

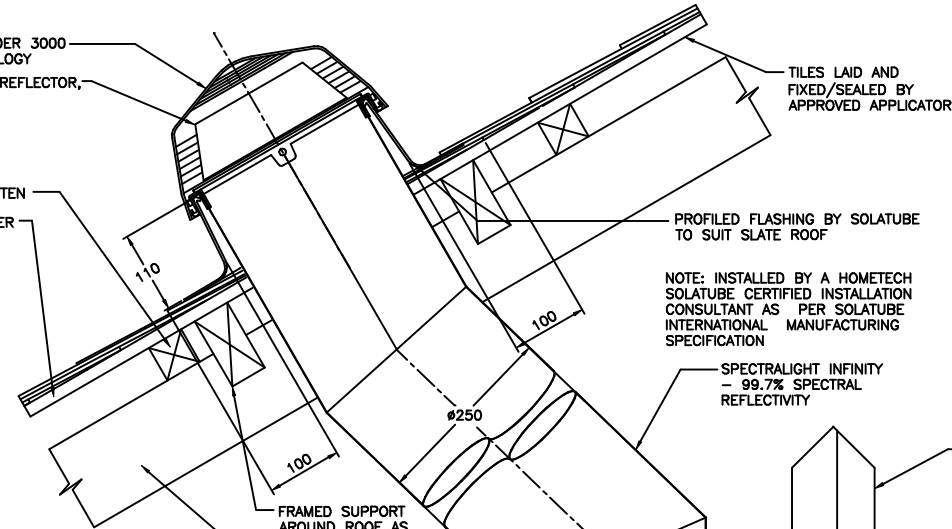
FLASHING FIXED WITH TEX SCREWS INTO PLYWOOD SHEET

DETAIL C - 3D EXPLODED VIEW SCALE: NTS

NOTE: INSTALLED BY A HOMETECH SOLATUBE CERTIFIED INSTALLATION CONSULTANT AS PER SOLATUBE INTERNATIONAL MANUFACTURING SPECIFICATION

RAYBENDER 3000 TECHNOLOGY LIGHT TRACKER REFLECTOR, TO FACE NORTH

TILES LAID AND FIXED/SEALED BY APPROVED APPLICATOR



NOTE: INSTALLED BY A HOMETECH SOLATUBE CERTIFIED INSTALLATION CONSULTANT AS PER SOLATUBE INTERNATIONAL MANUFACTURING SPECIFICATION

SPECTRALIGHT INFINITY - 99.7% SPECTRAL REFLECTIVITY

JUNCTION BOX ASSEMBLY FOR PRIMARY SYSTEM LOCATED ABOVE INSULATION

LED LIGHT

SECTION B-B SCALE 1:5

DRAWN	PCR	REVISION	B
DATE	21/10/16	SCALE	1:5, 1:10, NTS
APPROVED	PN	DWG NO.	
DATE	21/10/16	160DS-LED-S	