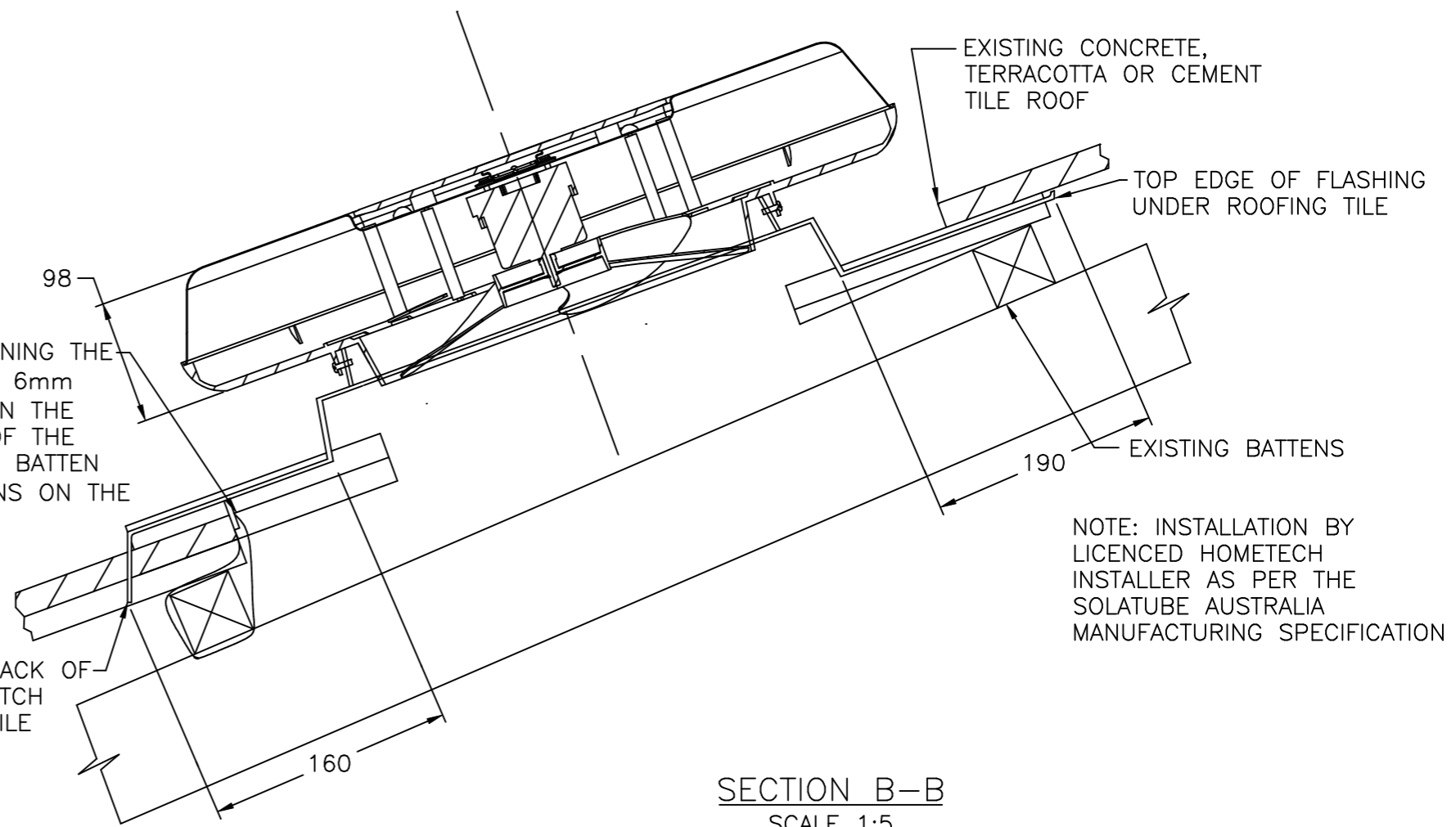
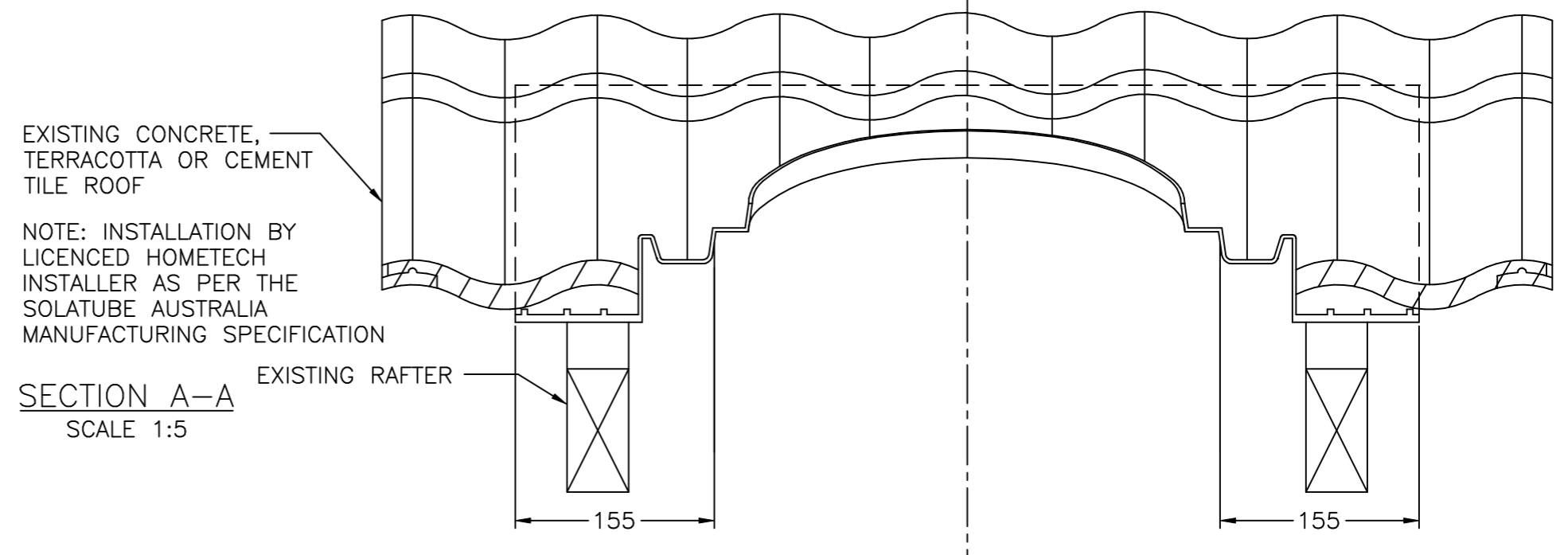
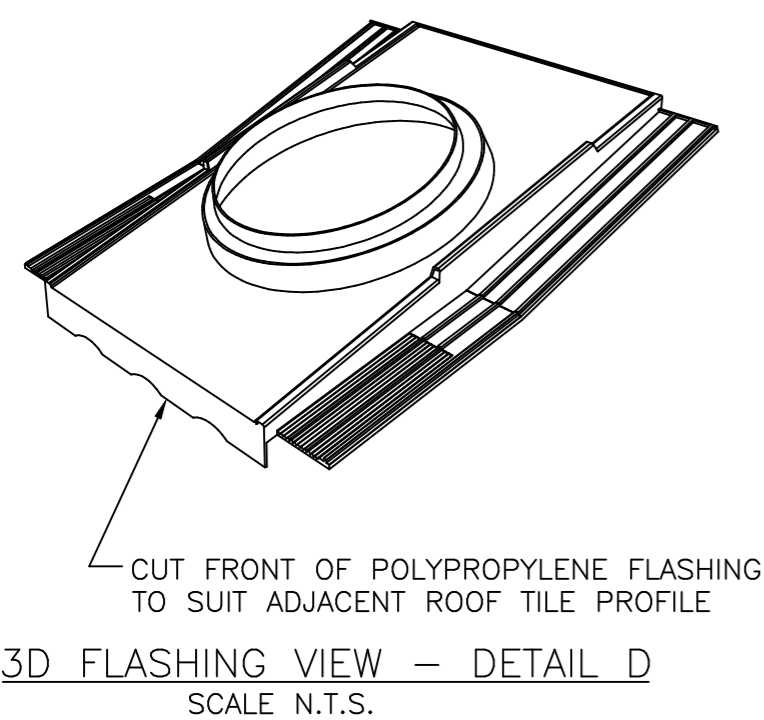


NOTE: INSTALLATION BY LICENCED HOMETECH INSTALLER AS PER THE SOLATUBE AUSTRALIA MANUFACTURING SPECIFICATION

EXISTING CONCRETE, TERRACOTTA OR CEMENT TILE ROOF



NOTE: INSTALLATION BY LICENCED HOMETECH INSTALLER AS PER THE SOLATUBE AUSTRALIA MANUFACTURING SPECIFICATION



DRAWN	PCR	REVISION	A
DATE	25/01/18	SCALE	1:5,1:10,NTS
APPROVED	PN	DWG NO.	SOLARSTAR-CO
DATE	25/01/18		