

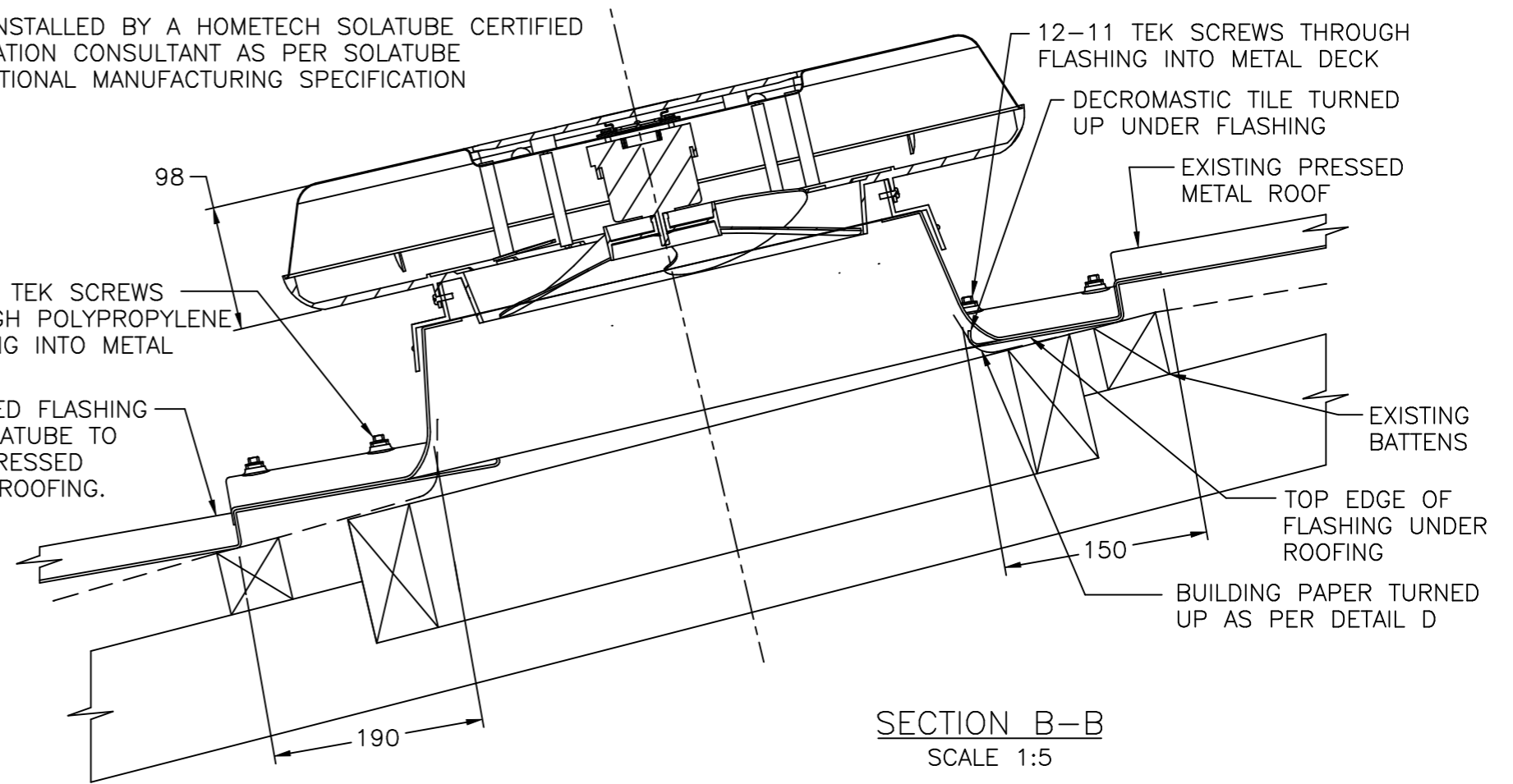
NOTE: INSTALLED BY A HOMETECH SOLATUBE CERTIFIED INSTALLATION CONSULTANT AS PER SOLATUBE INTERNATIONAL MANUFACTURING SPECIFICATION

PLAN
SCALE 1:10

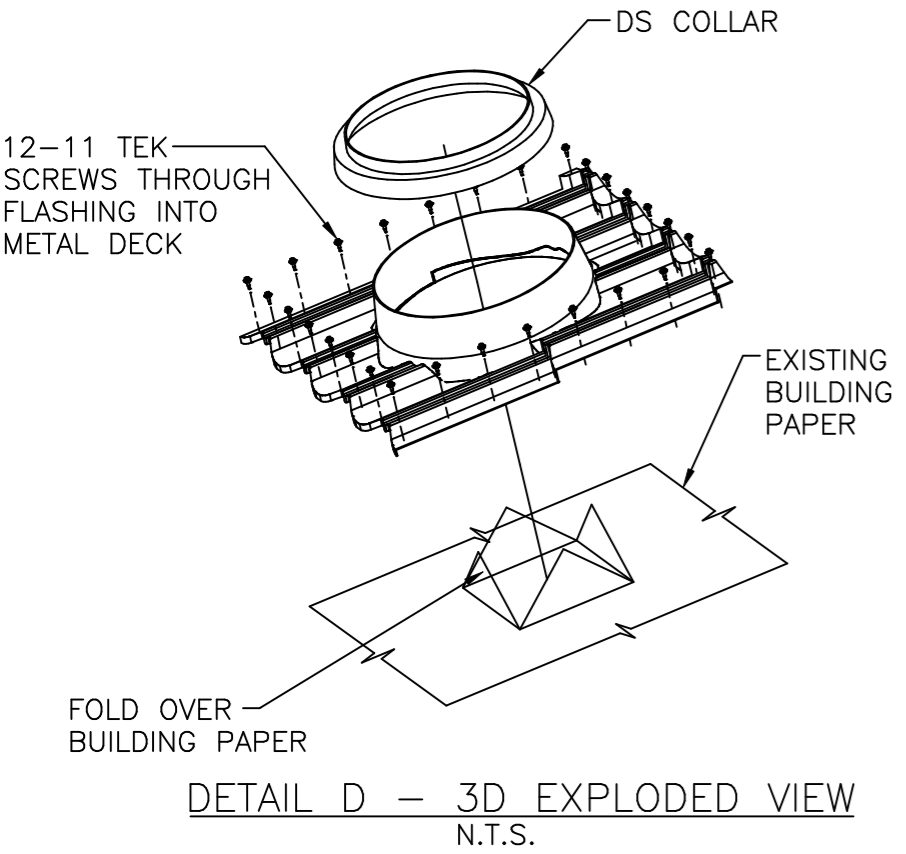
NOTE: INSTALLED BY A HOMETECH SOLATUBE CERTIFIED INSTALLATION CONSULTANT AS PER SOLATUBE INTERNATIONAL MANUFACTURING SPECIFICATION

NO. 12 TEK SCREWS THROUGH POLYPROPYLENE FLASHING INTO METAL DECK

PROFILED FLASHING BY SOLATUBE TO SUIT PRESSED METAL ROOFING.

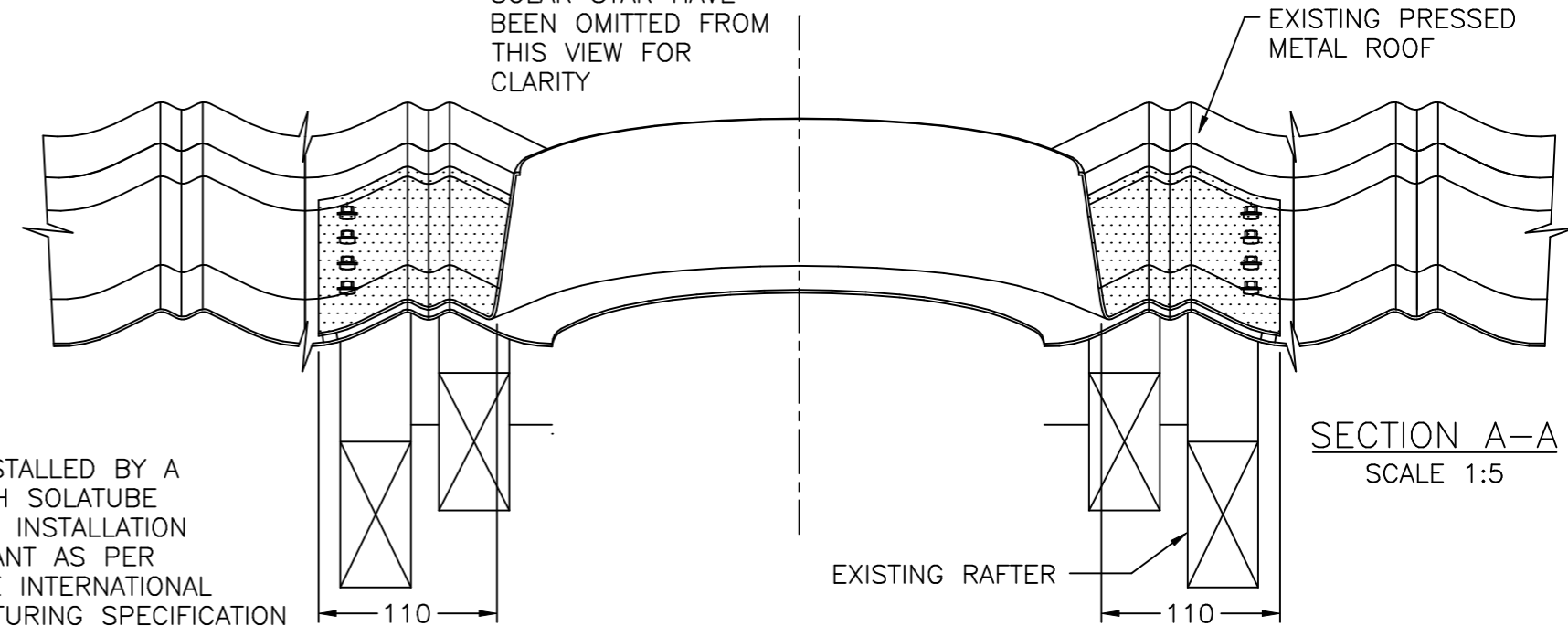


SECTION B-B
SCALE 1:5



DETAIL D - 3D EXPLODED VIEW
N.T.S.

NOTE: FLASHING RING AND SOLAR STAR HAVE BEEN OMITTED FROM THIS VIEW FOR CLARITY



SECTION A-A
SCALE 1:5

NOTE: INSTALLED BY A HOMETECH SOLATUBE CERTIFIED INSTALLATION CONSULTANT AS PER SOLATUBE INTERNATIONAL MANUFACTURING SPECIFICATION

| | | | |
|----------|----------|----------|--------------|
| DRAWN | PCR | REVISION | A |
| DATE | 25/01/18 | SCALE | 1:5,1:10,NTS |
| APPROVED | PN | DWG NO. | SOLARSTAR-D |
| DATE | 25/01/18 | | |