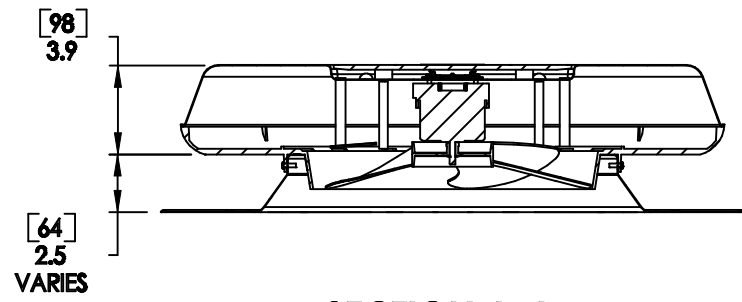
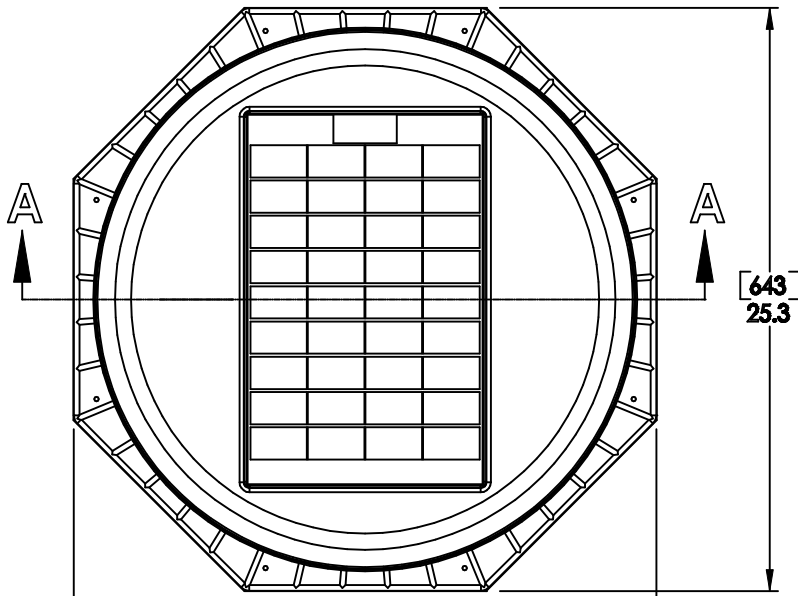
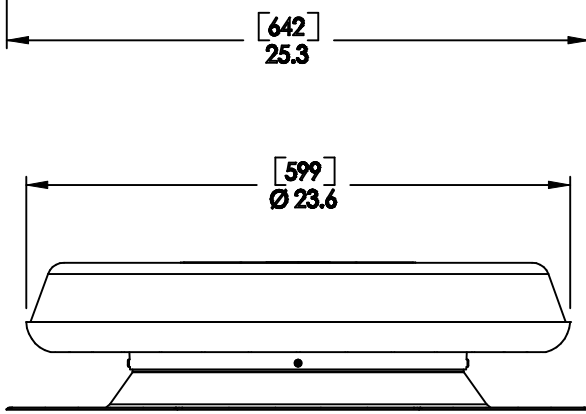


REVISIONS				
ECO	REV.	DESCRIPTION	DATE	INC.
	A		8/17/2004	



SECTION A-A



UNLESS OTHERWISE SPECIFIED:

TOLERANCES
 ANGULAR: $\pm 0.5^\circ$

INCH	MILLIMETER
X \pm .2	[X] \pm .25
.XX \pm .01	[.XX] \pm .12
.XXX \pm .005	[.XXX] \pm .025


MATERIAL
 -
 -

FINISH
 -
 -

DO NOT SCALE DRAWING

PROPRIETARY AND CONFIDENTIAL
 THE INFORMATION CONTAINED IN THIS DRAWING IS THE SOLE PROPERTY OF SOLATUBE. ANY REPRODUCTION IN PART OR AS A WHOLE WITHOUT THE WRITTEN PERMISSION OF SOLATUBE IS PROHIBITED.

DRAWN BY STEVENS	DATE 22/10/16
CHECKED BY -	DATE -
APPROVED BY -	DATE -



SOLATUBE
 2210 OAK RIDGE WAY
 VISTA, CALIFORNIA 92081-8341
 PH (760) 597-4400

TITLE:
14" SOLAR STAR ASSEMBLY

SIZE B	DWG. NO. 122020 DETAIL	REV B
SCALE: 1:6		SHEET 1 OF 1