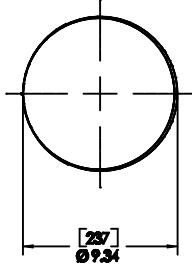
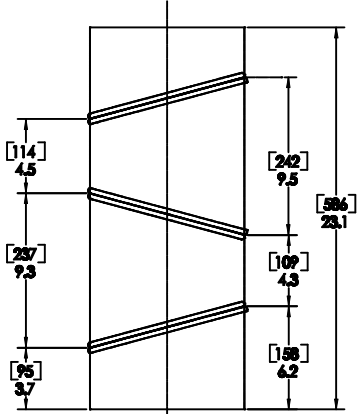
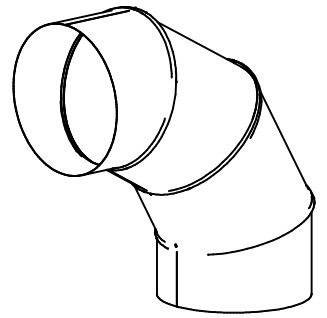


REVISIONS				
NO.	BY	DATE	DESCRIPTION	APP. BY
1				

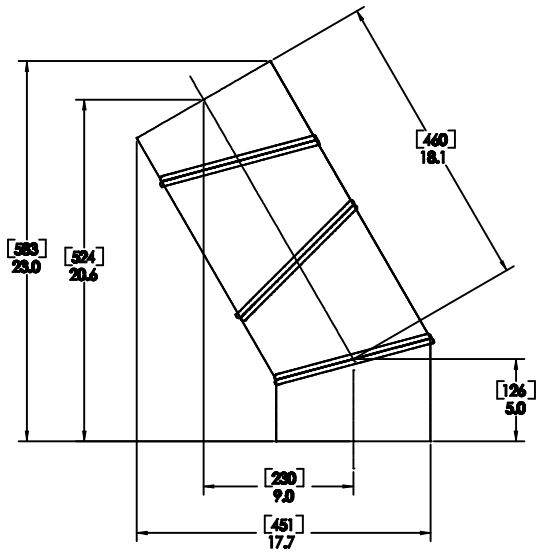
8 7 6 5 4 3 2 1



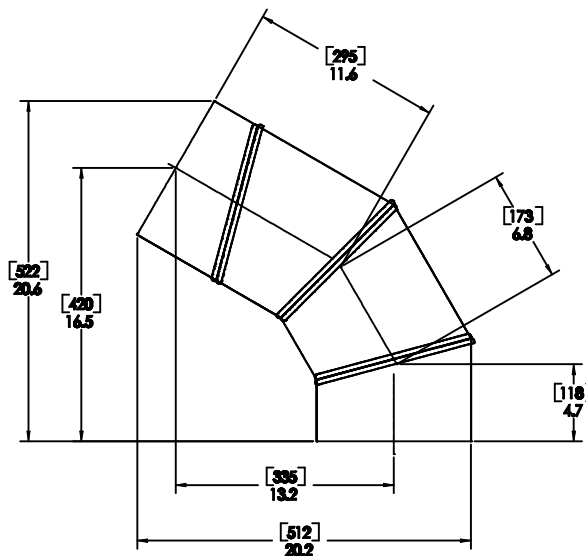
TOP VIEW
STRAIGHT



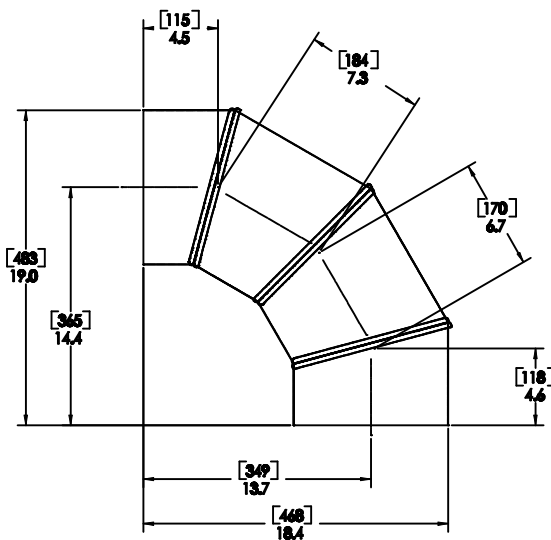
STRAIGHT
SCALE 1:1



30° ANGLE
SCALE 1:1



60° ANGLE
SCALE 1:1



90° ANGLE
SCALE 1:1

UNLESS OTHERWISE SPECIFIED: ALL DIMENSIONS ARE IN INCHES AND DECIMALS THEREOF. FRACTIONS SHALL BE IN 16ths OR 32nds. DIMENSIONS SHALL BE TO UNLESS OTHERWISE SPECIFIED. JOG & BEV JOG & BEV		PROPRIETARY AND CONFIDENTIAL: THE INFORMATION CONTAINED HEREIN IS THE PROPERTY OF SOLATUBE CORPORATION AND IS TO BE KEPT CONFIDENTIAL AND NOT TO BE REPRODUCED OR TRANSMITTED IN ANY FORM OR BY ANY MEANS, ELECTRONIC OR MECHANICAL, INCLUDING PHOTOCOPYING, RECORDING, OR BY ANY INFORMATION STORAGE AND RETRIEVAL SYSTEM, WITHOUT THE WRITTEN PERMISSION OF SOLATUBE CORPORATION.		SOLATUBE <small>2215 OAK RIDGE WAY VISTA, CALIFORNIA 92081-0541 951 (760) 597-4000</small>	
DRAWN BY: _____ CHECKED BY: _____ DATE: 2/27/06	DESIGNED BY: _____ CHECKED BY: _____ DATE: _____	TITLE: 0-90 DEGREE EXT. TUBE 10 INCH	SHEET NO.: 2 OF: 2	REV: 2	SHEET OF: 2

8 7 6 5 4 3 2 1