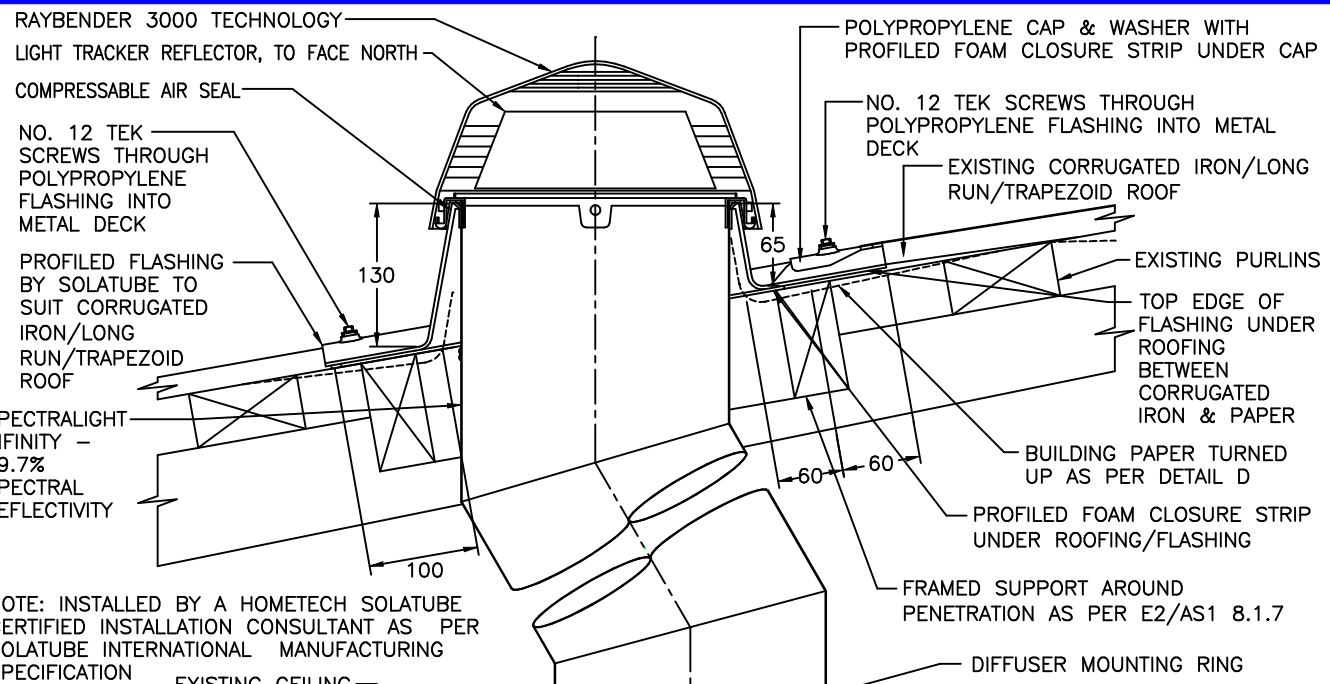


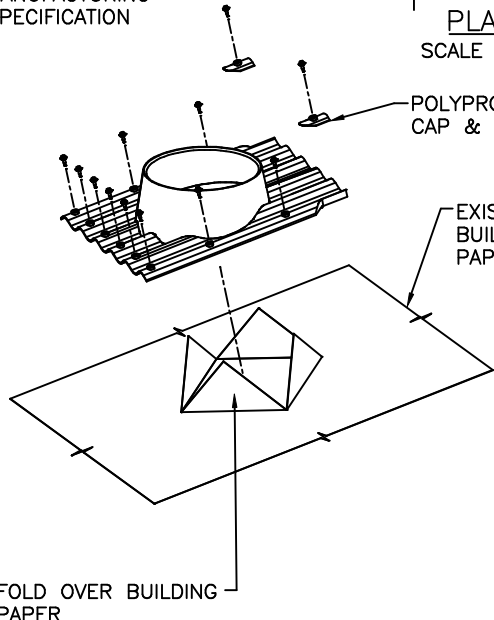
NOTE: INSTALLED BY A HOMETECH SOLATUBE CERTIFIED INSTALLATION CONSULTANT AS PER SOLATUBE INTERNATIONAL MANUFACTURING SPECIFICATION

PLAN SCALE 1:10

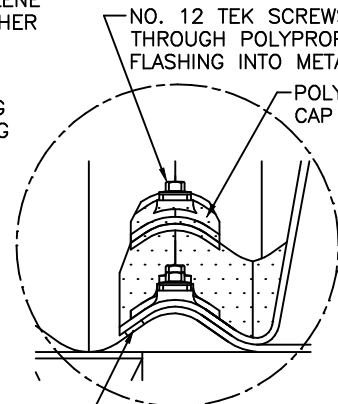


NOTE: INSTALLED BY A HOMETECH SOLATUBE CERTIFIED INSTALLATION CONSULTANT AS PER SOLATUBE INTERNATIONAL MANUFACTURING SPECIFICATION

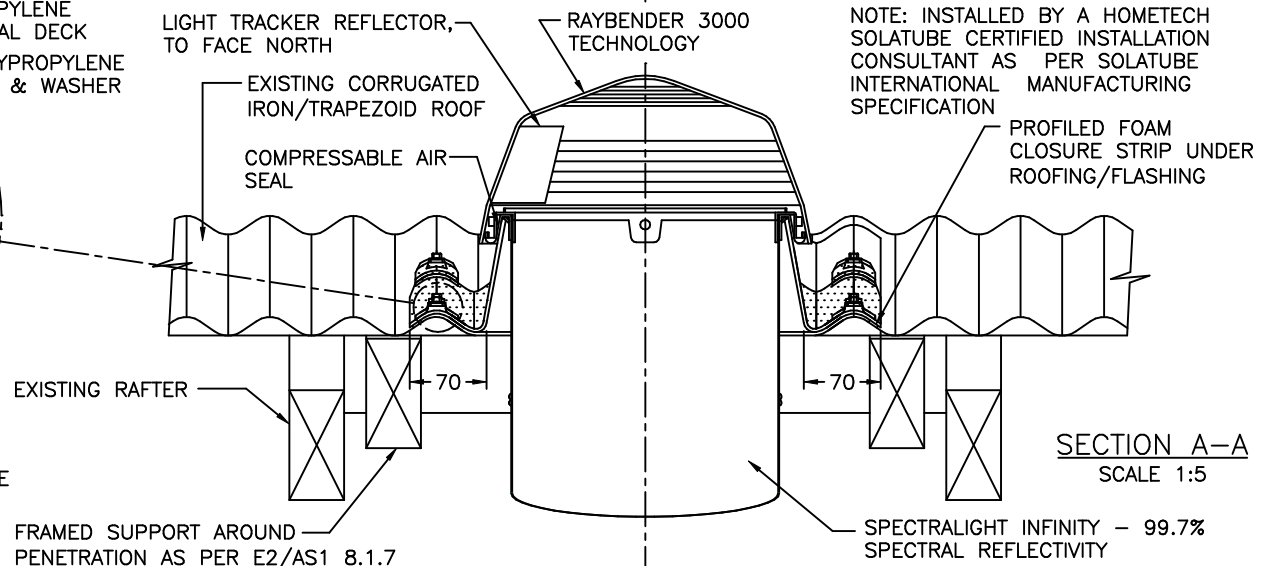
SECTION B-B SCALE 1:5



DETAIL D - 3D EXPLODED VIEW N.T.S.



DETAIL C N.T.S.



SECTION A-A SCALE 1:5

DRAWN	PCR	REVISION	C
DATE	21/10/16	SCALE	1:5,1:10,NTS
APPROVED	PN	DWG NO.	160DS-C
DATE	21/10/16		