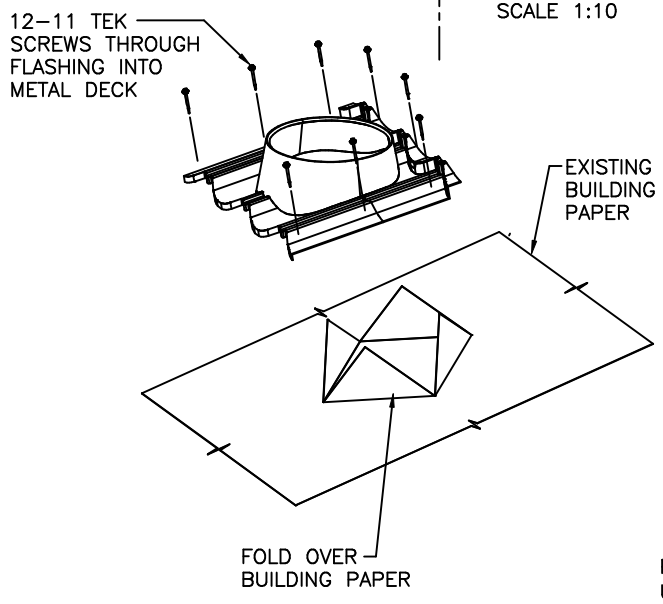
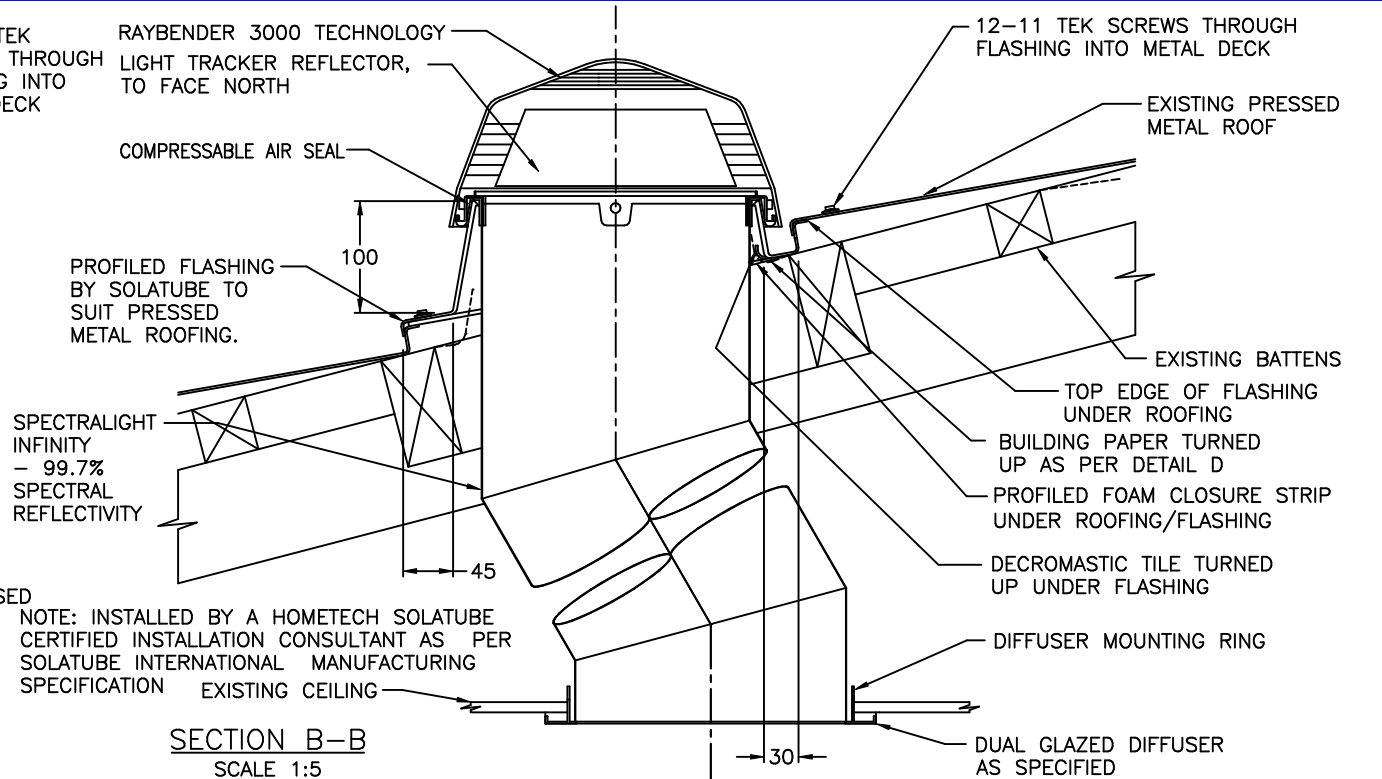


NOTE: INSTALLED BY A HOMETECH SOLATUBE CERTIFIED INSTALLATION CONSULTANT AS PER SOLATUBE INTERNATIONAL MANUFACTURING SPECIFICATION

PLAN SCALE 1:10

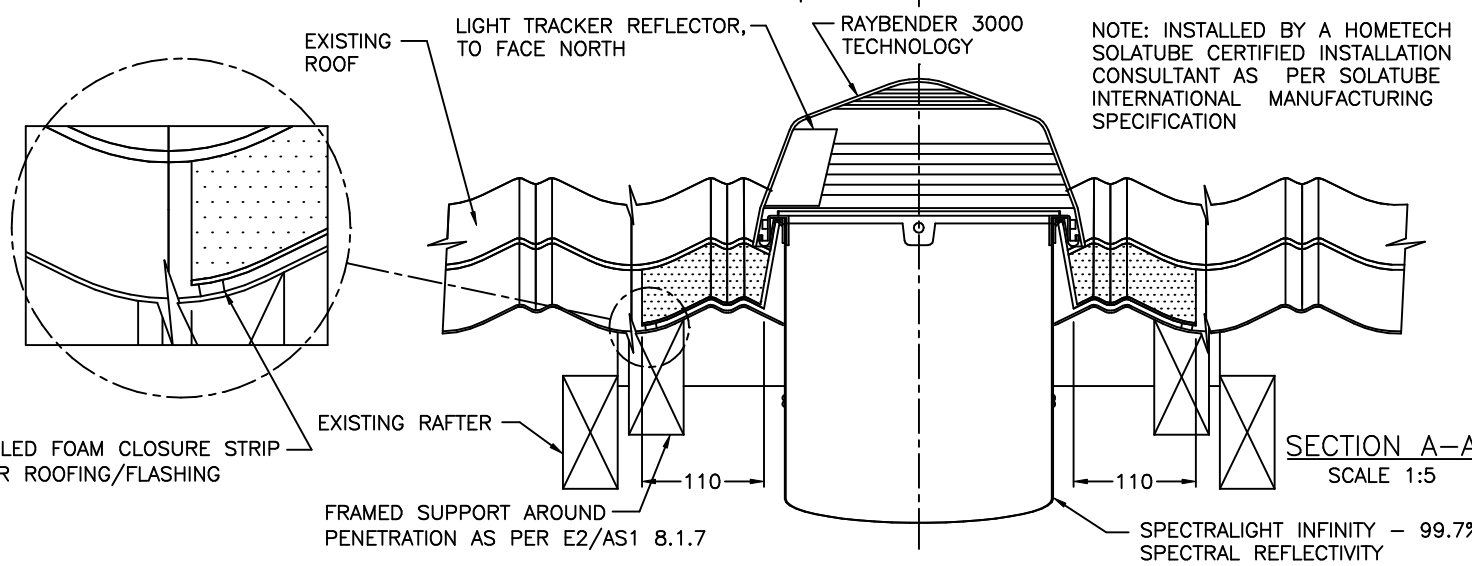


DETAIL D - 3D EXPLODED VIEW N.T.S.



NOTE: INSTALLED BY A HOMETECH SOLATUBE CERTIFIED INSTALLATION CONSULTANT AS PER SOLATUBE INTERNATIONAL MANUFACTURING SPECIFICATION

SECTION B-B SCALE 1:5



SECTION A-A SCALE 1:5

hometech™
 PHONE: 0800 466-383
 WEB: www.hometech.co.nz

SOLATUBE.
 Innovation in Daylighting...
 Copyright Trademarks and Patents registered.
 Authorised Distributor HomeTech Limited: New Zealand.

SOLATUBE 160DS DAYLIGHTING SYSTEM
 INSTALLATION FOR PRESSED METAL ROOF e.g. DECROBOND
 INSTALLATION: INSTALLED BY A HOMETECH SOLATUBE CERTIFIED INSTALLATION CONSULTANT AS PER SOLATUBE INTERNATIONAL MANUFACTURING SPECIFICATION ● 2011 HomeTech Ltd

DRAWN	PCR	REVISION	D
DATE	21/10/16	SCALE	1:5,1:10,NTS
APPROVED	PN	DWG NO.	160DS-D
DATE	21/10/16		