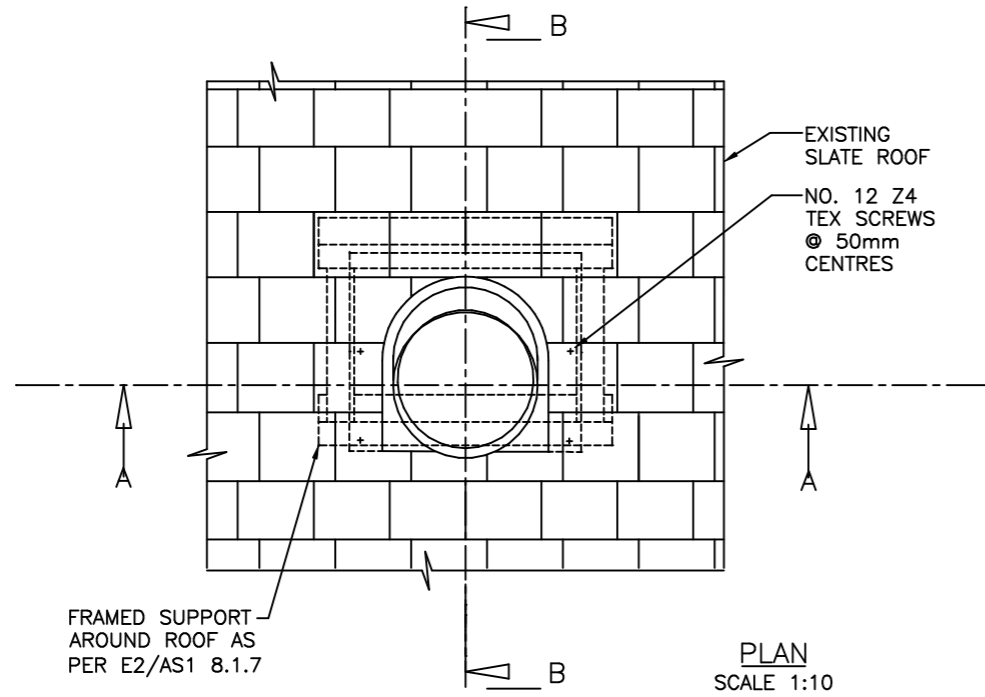


NOTE: INSTALLED BY A HOMETECH SOLATUBE CERTIFIED INSTALLATION CONSULTANT AS PER SOLATUBE INTERNATIONAL MANUFACTURING SPECIFICATION

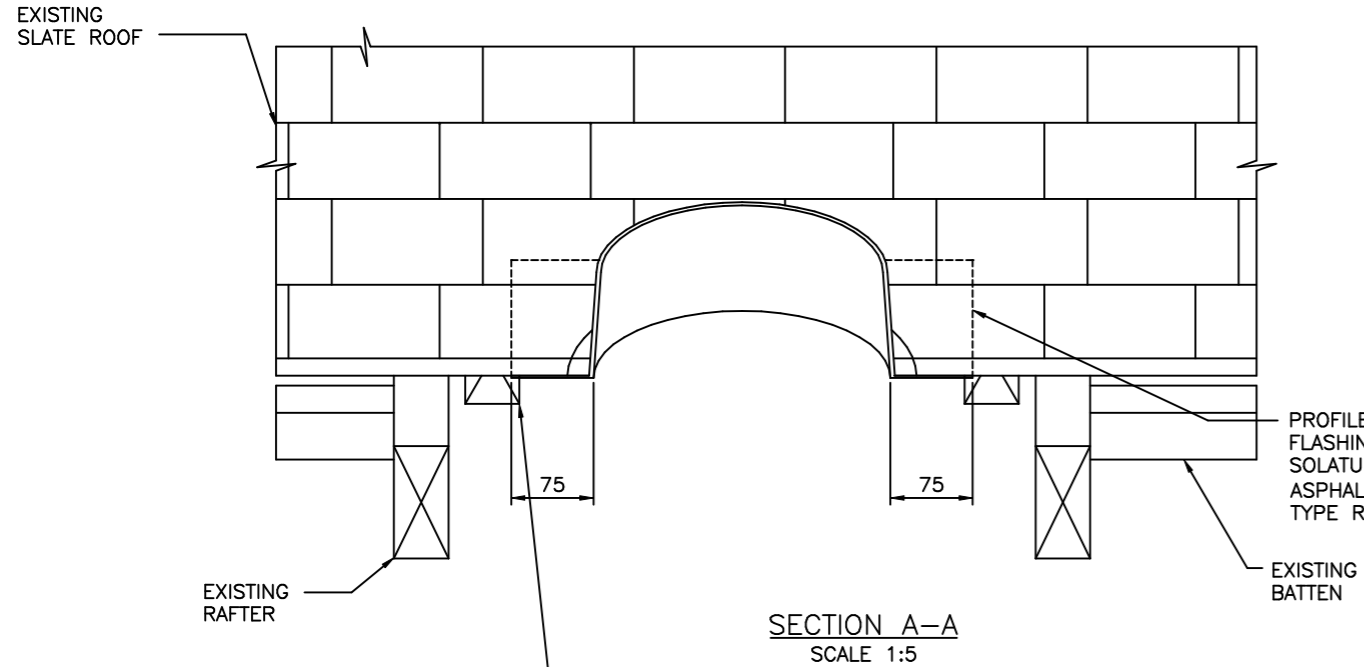
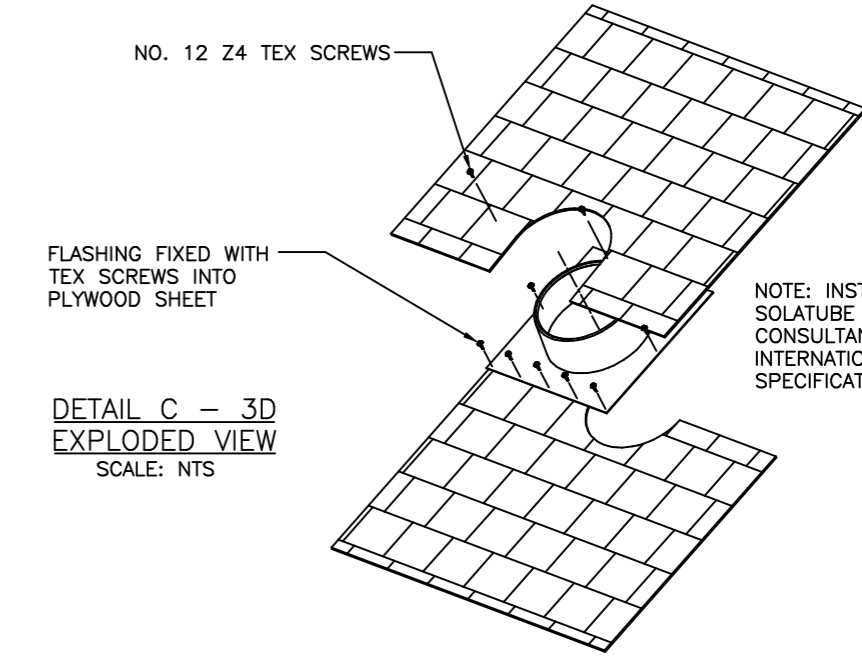


NO. 12 Z4 TEX SCREWS

FLASHING FIXED WITH TEX SCREWS INTO PLYWOOD SHEET

DETAIL C - 3D EXPLODED VIEW SCALE: NTS

NOTE: INSTALLED BY A HOMETECH SOLATUBE CERTIFIED INSTALLATION CONSULTANT AS PER SOLATUBE INTERNATIONAL MANUFACTURING SPECIFICATION



NOTE: INSTALLED BY A HOMETECH SOLATUBE CERTIFIED INSTALLATION CONSULTANT AS PER SOLATUBE INTERNATIONAL MANUFACTURING SPECIFICATION

FRAMED SUPPORT AROUND ROOF AS PER E2/AS1 8.1.7

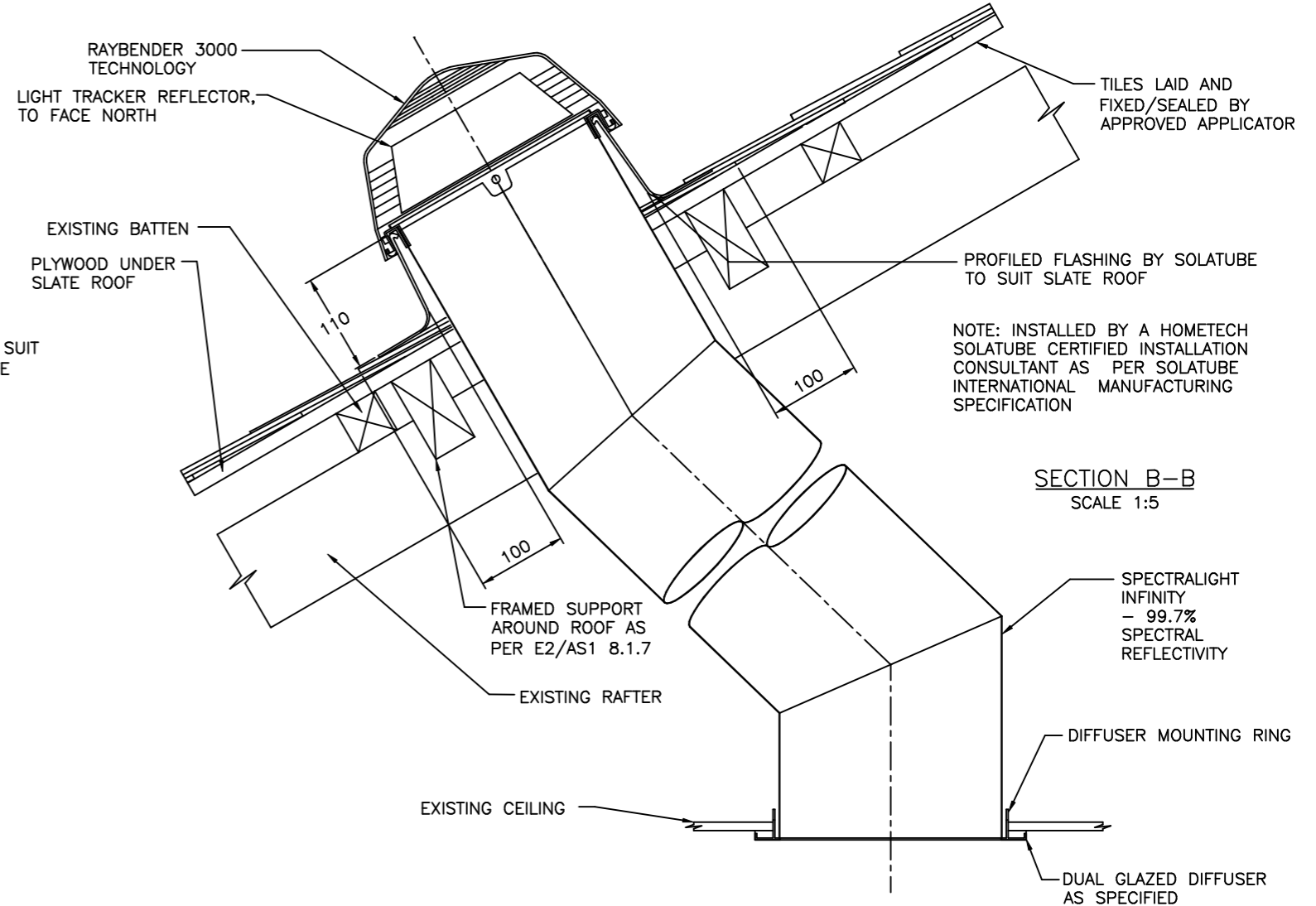
RAYBENDER 3000 TECHNOLOGY
LIGHT TRACKER REFLECTOR, TO FACE NORTH

EXISTING BATTEN
PLYWOOD UNDER SLATE ROOF

PROFLED FLASHING BY SOLATUBE TO SUIT ASPHALT/SLATE TYPE ROOF

EXISTING BATTEN

SECTION A-A
SCALE 1:5



NOTE: INSTALLED BY A HOMETECH SOLATUBE CERTIFIED INSTALLATION CONSULTANT AS PER SOLATUBE INTERNATIONAL MANUFACTURING SPECIFICATION

SECTION B-B
SCALE 1:5

SPECTRALIGHT INFINITY
- 99.7% SPECTRAL REFLECTIVITY

DIFFUSER MOUNTING RING

DUAL GLAZED DIFFUSER AS SPECIFIED