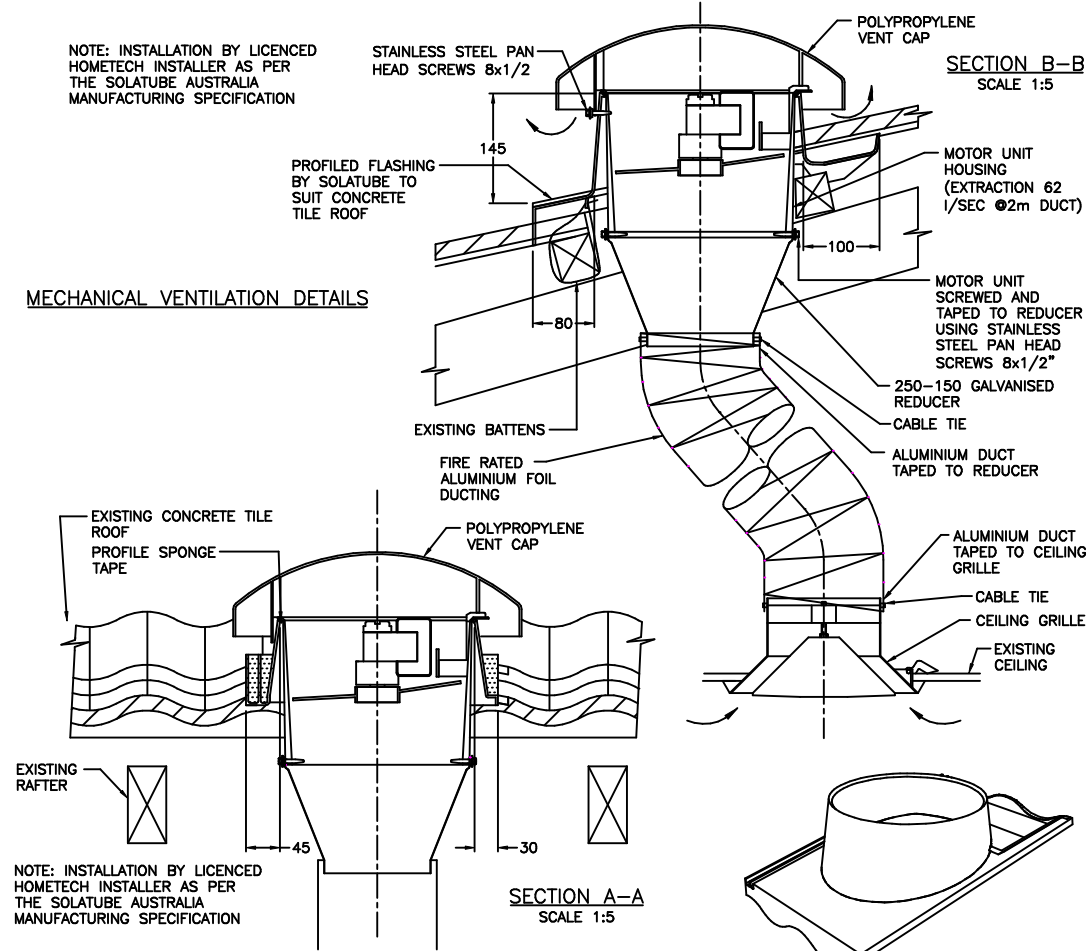
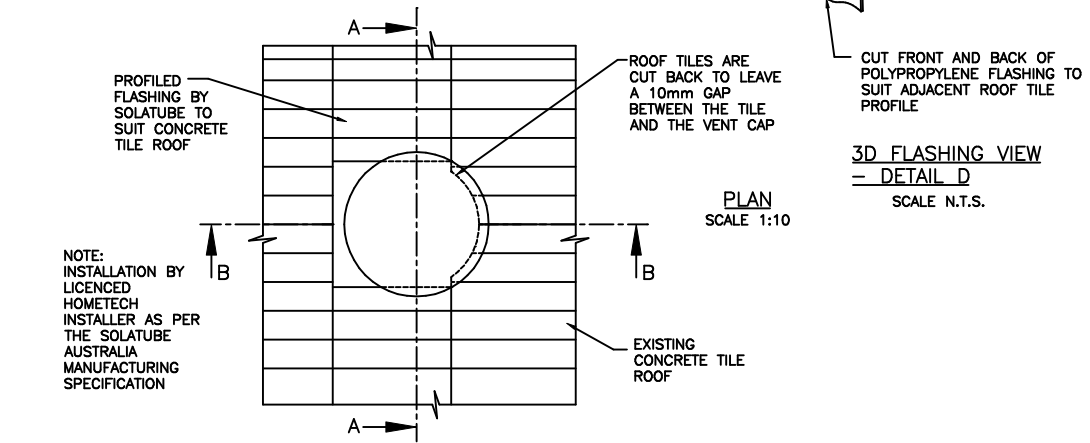


NOTE: INSTALLATION BY LICENCED HOMETECH INSTALLER AS PER THE SOLATUBE AUSTRALIA MANUFACTURING SPECIFICATION

MECHANICAL VENTILATION DETAILS



NOTE: INSTALLATION BY LICENCED HOMETECH INSTALLER AS PER THE SOLATUBE AUSTRALIA MANUFACTURING SPECIFICATION



DRAWN	PCR	REVISION	C
DATE	21/10/16	SCALE	1:5, 1:10, NTS
APPROVED	PN	DWG NO.	
DATE	21/10/16	160DS-VS3004-CO	