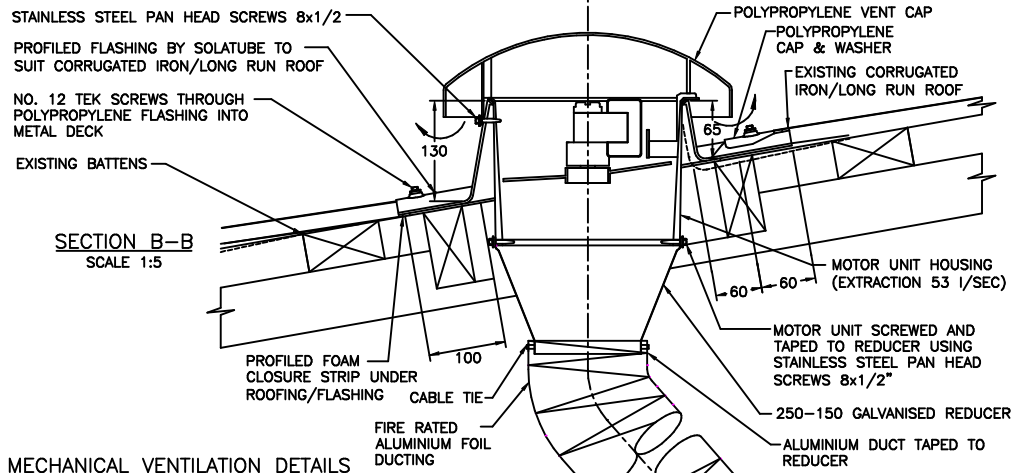
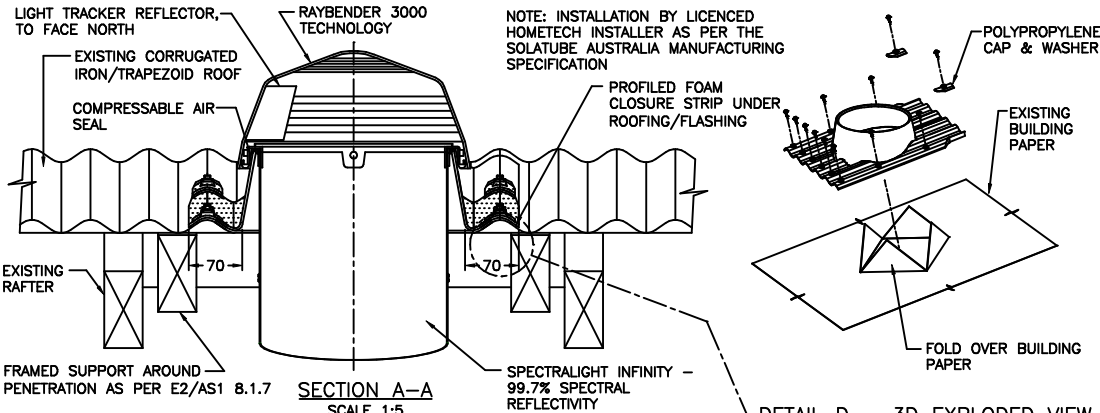


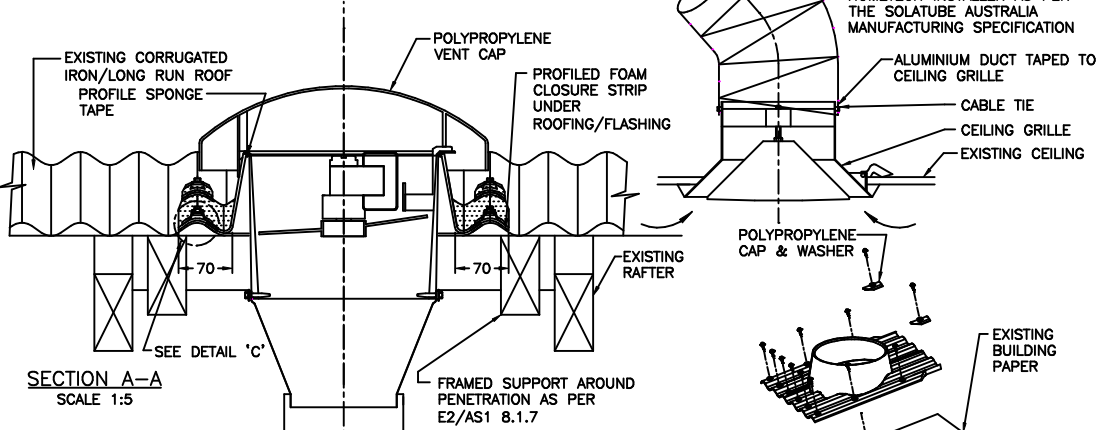
SECTION B-B
SCALE 1:5



MECHANICAL VENTILATION DETAILS



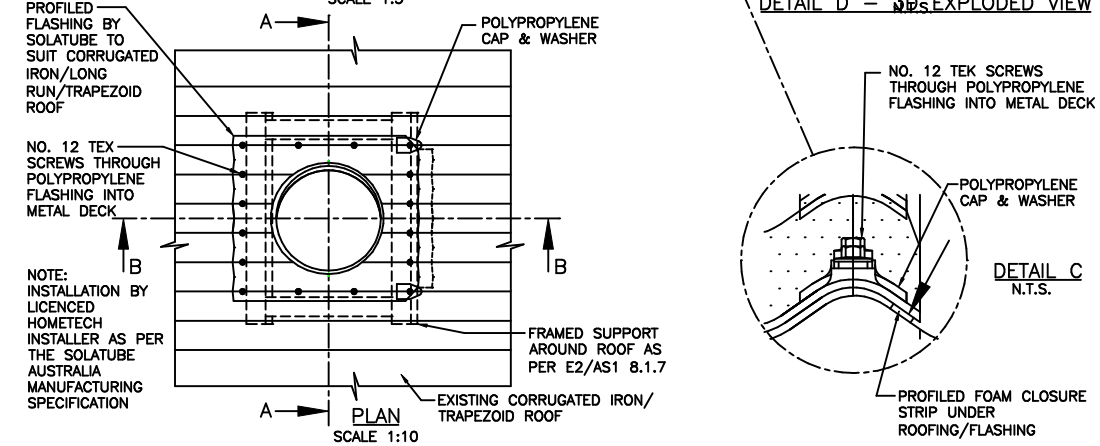
SECTION A-A
SCALE 1:5



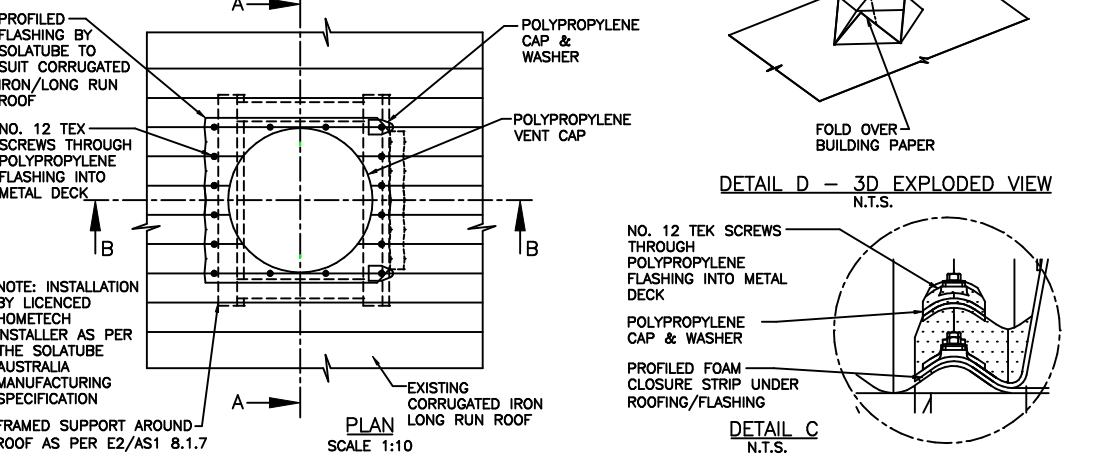
SECTION A-A
SCALE 1:5

DETAIL D - 3D EXPLODED VIEW

DETAIL D - 3D EXPLODED VIEW
N.T.S.



PLAN
SCALE 1:10



PLAN
SCALE 1:10

DETAIL C
N.T.S.

SOLATUBE
Innovation in Daylighting.
Copyright, Trade Marks and Patents registered.
Authorized Distributor
Homatech Lighting, New Zealand.

SOLATUBE 160DS DAYLIGHTING SYSTEM WITH SEPEARATE MECHANICAL VENTILATION
INSTALLATION FOR CORRUGATED IRON/TRAPEZOID/LONG RUN ROOF
INSTALLATION: INSTALLED BY A LICENCED HOMETECH INSTALLER AS PER THE SOLATUBE AUSTRALIA MANUFACTURING SPECIFICATION

DRAWN	PCR	REVISION	B
DATE	21/10/16	SCALE	1:5,1:10,N.T.S
APPROVED	PN	DWG NO.	
DATE	21/10/16		160DS-VC-C