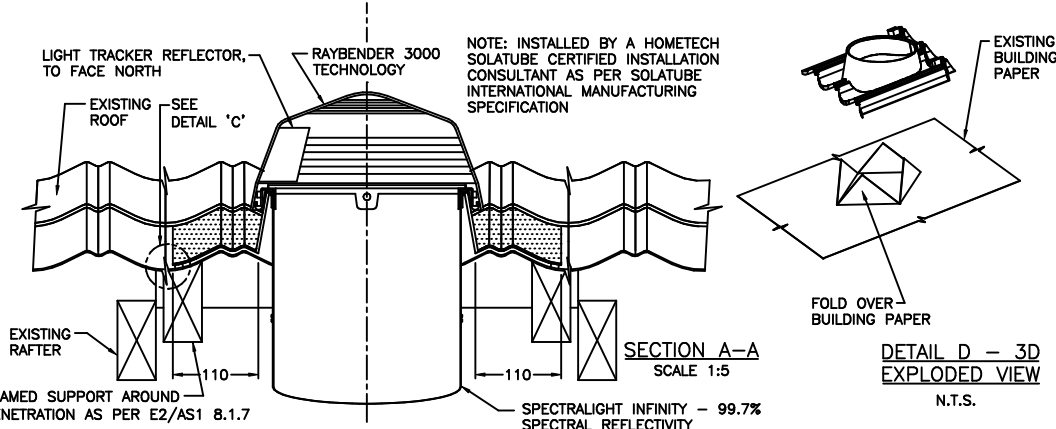


NOTE: INSTALLED BY A HOMETECH SOLATUBE CERTIFIED INSTALLATION CONSULTANT AS PER SOLATUBE INTERNATIONAL MANUFACTURING SPECIFICATION

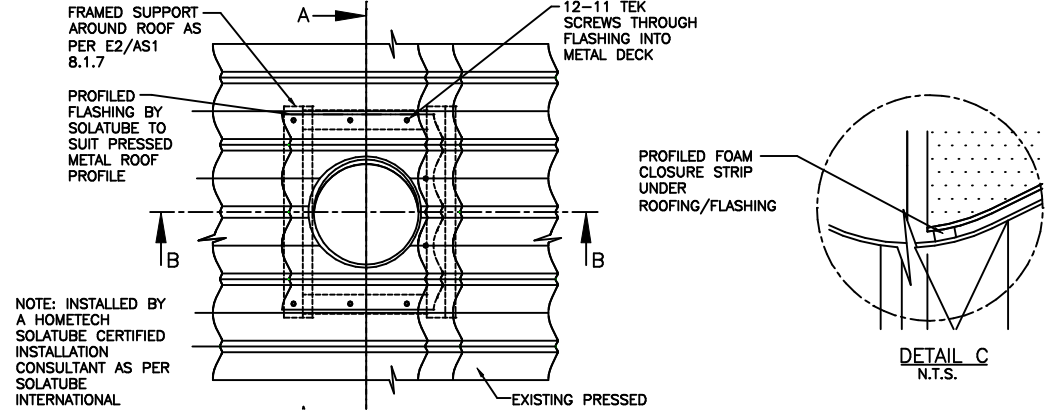
SECTION B-B  
SCALE 1:5



NOTE: INSTALLED BY A HOMETECH SOLATUBE CERTIFIED INSTALLATION CONSULTANT AS PER SOLATUBE INTERNATIONAL MANUFACTURING SPECIFICATION

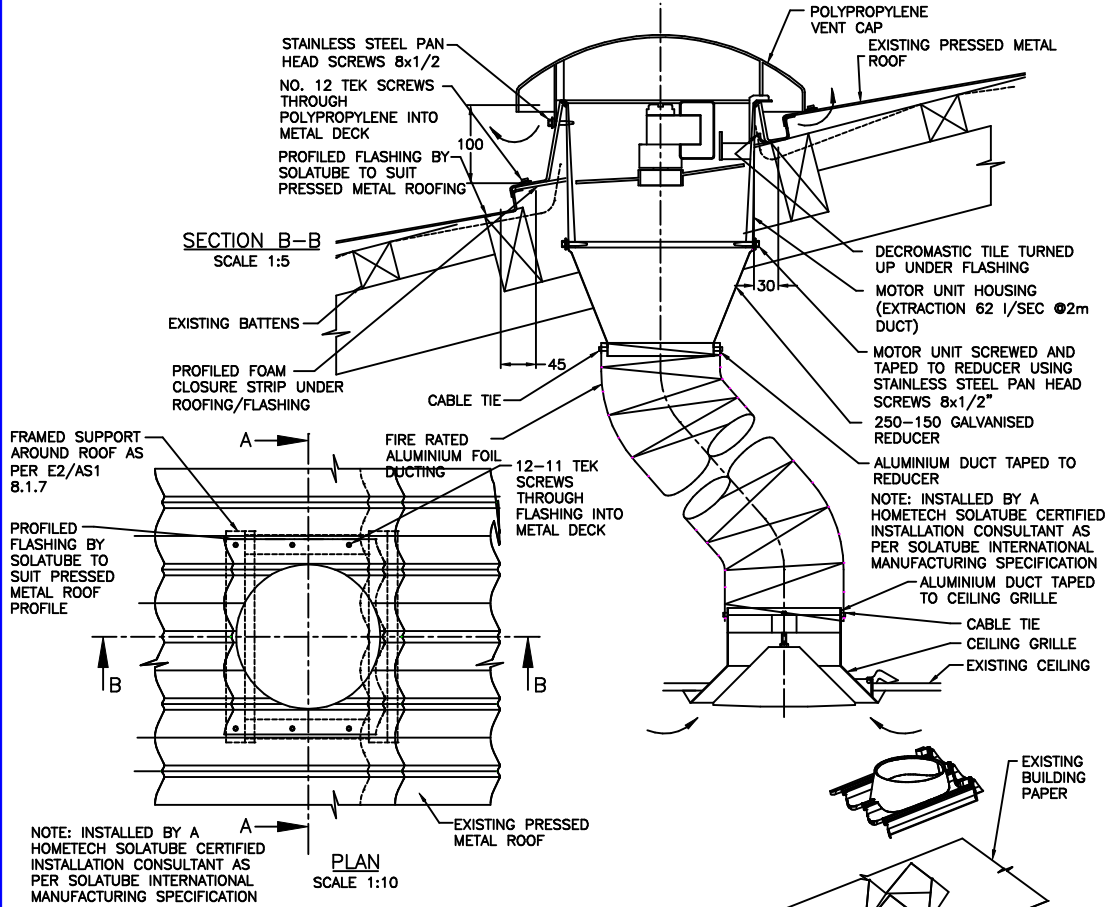
SECTION A-A  
SCALE 1:5

DETAIL D - 3D EXPLODED VIEW  
N.T.S.



NOTE: INSTALLED BY A HOMETECH SOLATUBE CERTIFIED INSTALLATION CONSULTANT AS PER SOLATUBE INTERNATIONAL

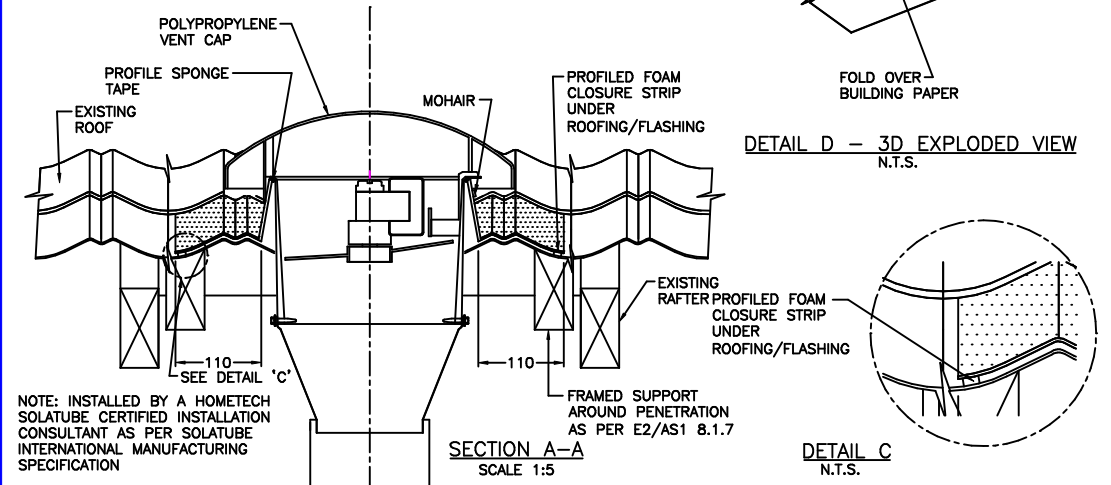
DETAIL C  
N.T.S.



FRAMED SUPPORT AROUND ROOF AS PER E2/AS1 8.1.7

NOTE: INSTALLED BY A HOMETECH SOLATUBE CERTIFIED INSTALLATION CONSULTANT AS PER SOLATUBE INTERNATIONAL MANUFACTURING SPECIFICATION

PLAN  
SCALE 1:10



NOTE: INSTALLED BY A HOMETECH SOLATUBE CERTIFIED INSTALLATION CONSULTANT AS PER SOLATUBE INTERNATIONAL MANUFACTURING SPECIFICATION

SECTION A-A  
SCALE 1:5

DETAIL C  
N.T.S.

**SOLATUBE.**  
Innovation in Daylighting.  
Copyright: Trade Marks and Patents registered.  
Austrian Manufacturer  
Homotech Limited, New Zealand.

SOLATUBE 160DS DAYLIGHTING SYSTEM WITH SEPERATE MECHANICAL VENTILATION  
INSTALLATION FOR PRESSED METAL ROOF e.g. DECROBOND  
INSTALLATION: INSTALLED BY A HOMETECH SOLATUBE CERTIFIED INSTALLATION CONSULTANT AS PER SOLATUBE INTERNATIONAL MANUFACTURING SPECIFICATION ● 2011 HomeTech Ltd

DRAWN	PCR	REVISION	D
DATE	21/10/16	SCALE	1:5;1:10;N.T.S
APPROVED	PN	DWG NO.	
DATE	21/10/16	160DS-VS3004-D	