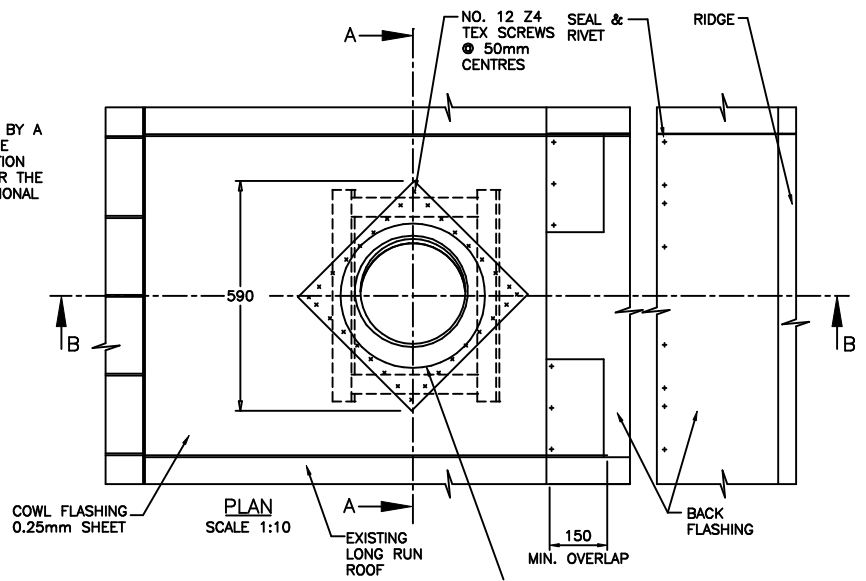


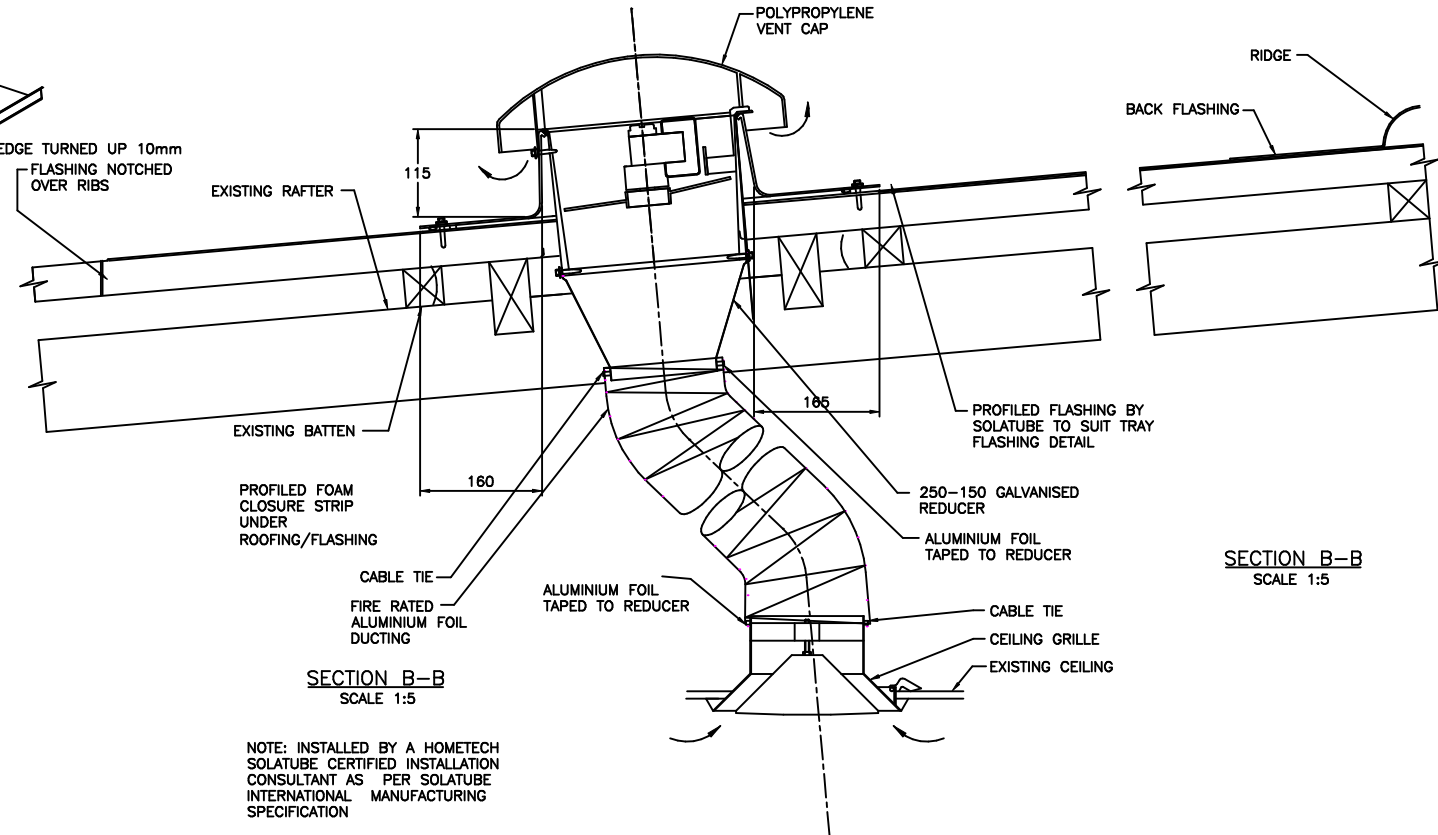
**DETAIL C - 3D EXPLODED VIEW**  
SCALE: NTS

NOTE: INSTALLATION BY A HOMETECH SOLATUBE CERTIFIED INSTALLATION CONSULTANT AS PER THE SOLATUBE INTERNATIONAL MANUFACTURING SPECIFICATION

NOTE: INSTALLATION BY A HOMETECH SOLATUBE CERTIFIED INSTALLATION CONSULTANT AS PER THE SOLATUBE INTERNATIONAL MANUFACTURING SPECIFICATION



**PLAN**  
SCALE 1:10



**SECTION B-B**  
SCALE 1:5

**SECTION B-B**  
SCALE 1:5

NOTE: INSTALLED BY A HOMETECH SOLATUBE CERTIFIED INSTALLATION CONSULTANT AS PER SOLATUBE INTERNATIONAL MANUFACTURING SPECIFICATION

DRAWN	PCR	REVISION	E
DATE	21/10/16	SCALE	1:5,1:10,NTS
APPROVED	PN	DWG NO.	SHEET 2 OF 2
DATE	21/10/16		290DS-VS3004-ST