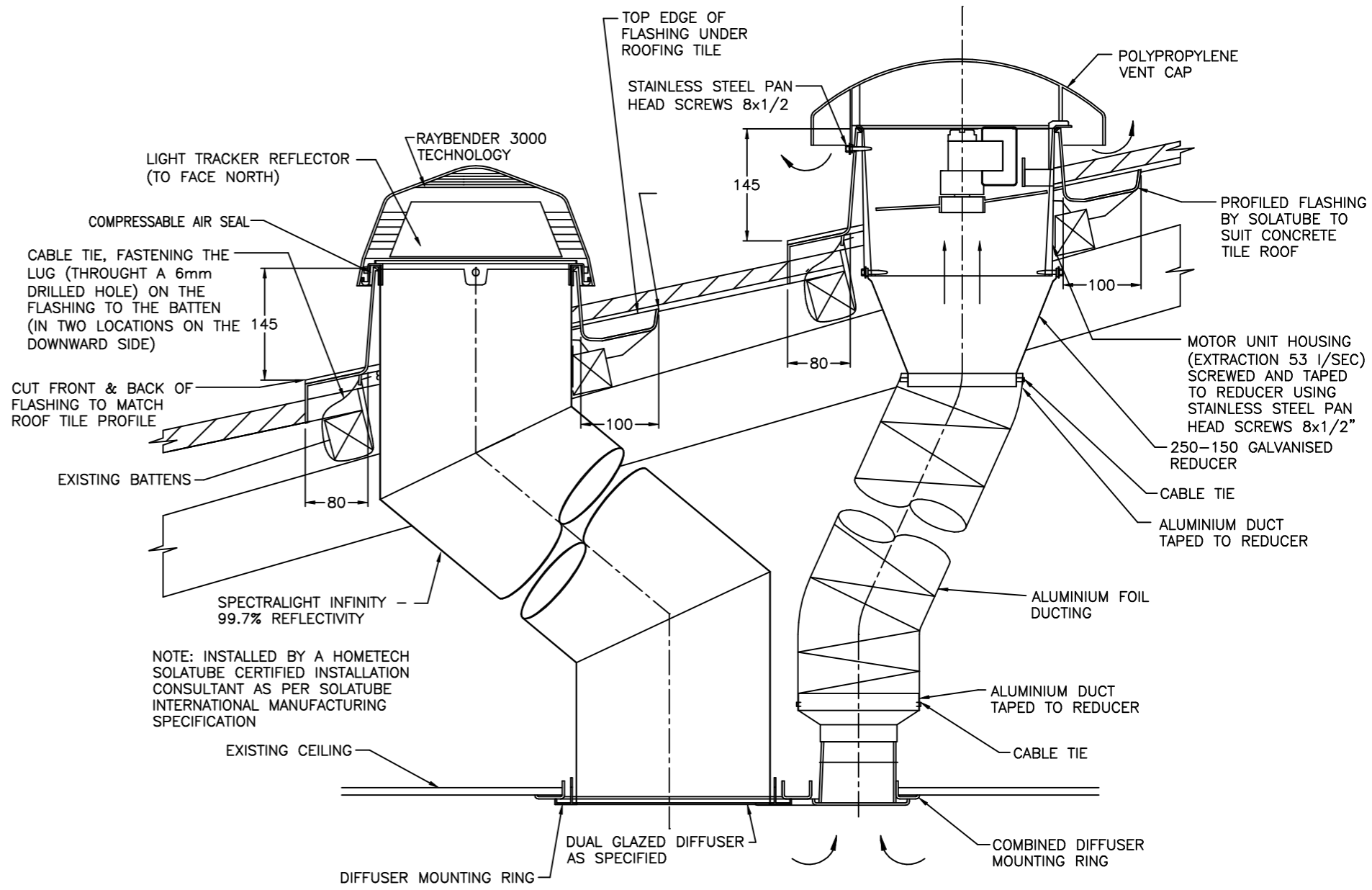
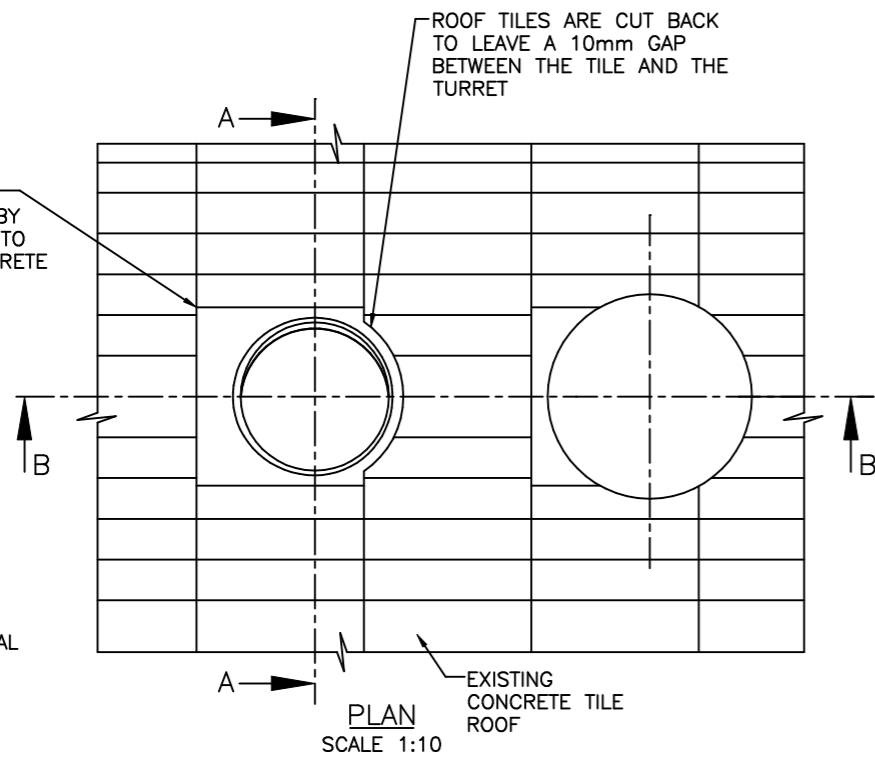


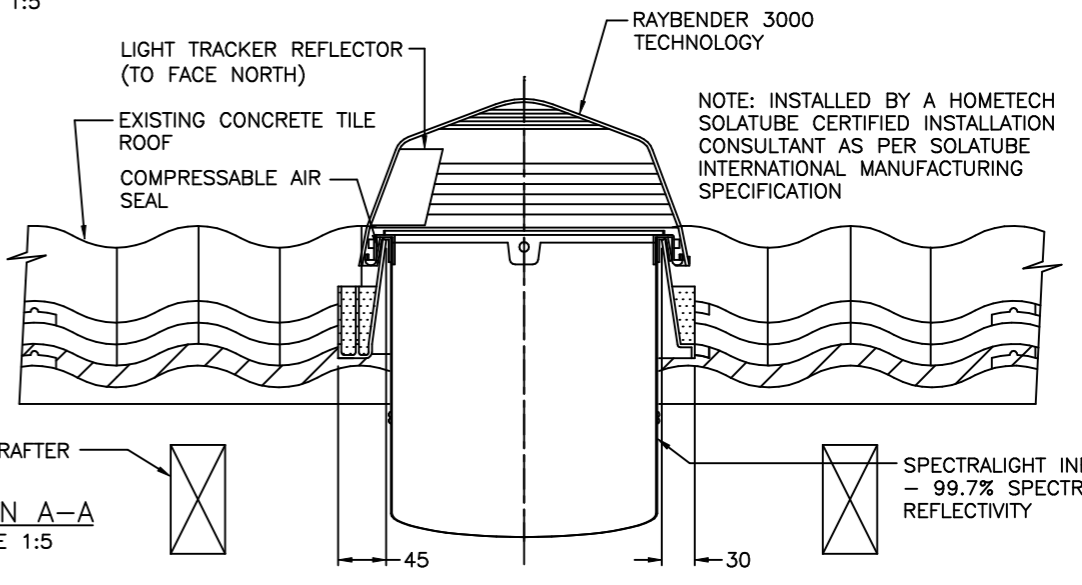
CUT FRONT AND BACK OF POLYPROPYLENE FLASHING TO SUIT ADJACENT ROOF TILE PROFILE
3D FLASHING VIEW - DETAIL D
 SCALE N.T.S.



SECTION B-B
 SCALE 1:5



NOTE: INSTALLED BY A HOMETECH SOLATUBE CERTIFIED INSTALLATION CONSULTANT AS PER SOLATUBE INTERNATIONAL MANUFACTURING SPECIFICATION



SECTION A-A
 SCALE 1:5

SECTION A-A
 SCALE 1:5

PLEASE NOTE THE VENTILATION DETAILS HAVE BEEN OMITTED FROM THIS VIEW

DRAWN	PCR	REVISION	D
DATE	13/06/18	SCALE	1:5, 1:10, NTS
APPROVED	PN	DWG NO.	
DATE	13/06/18	160DS-V-CO	