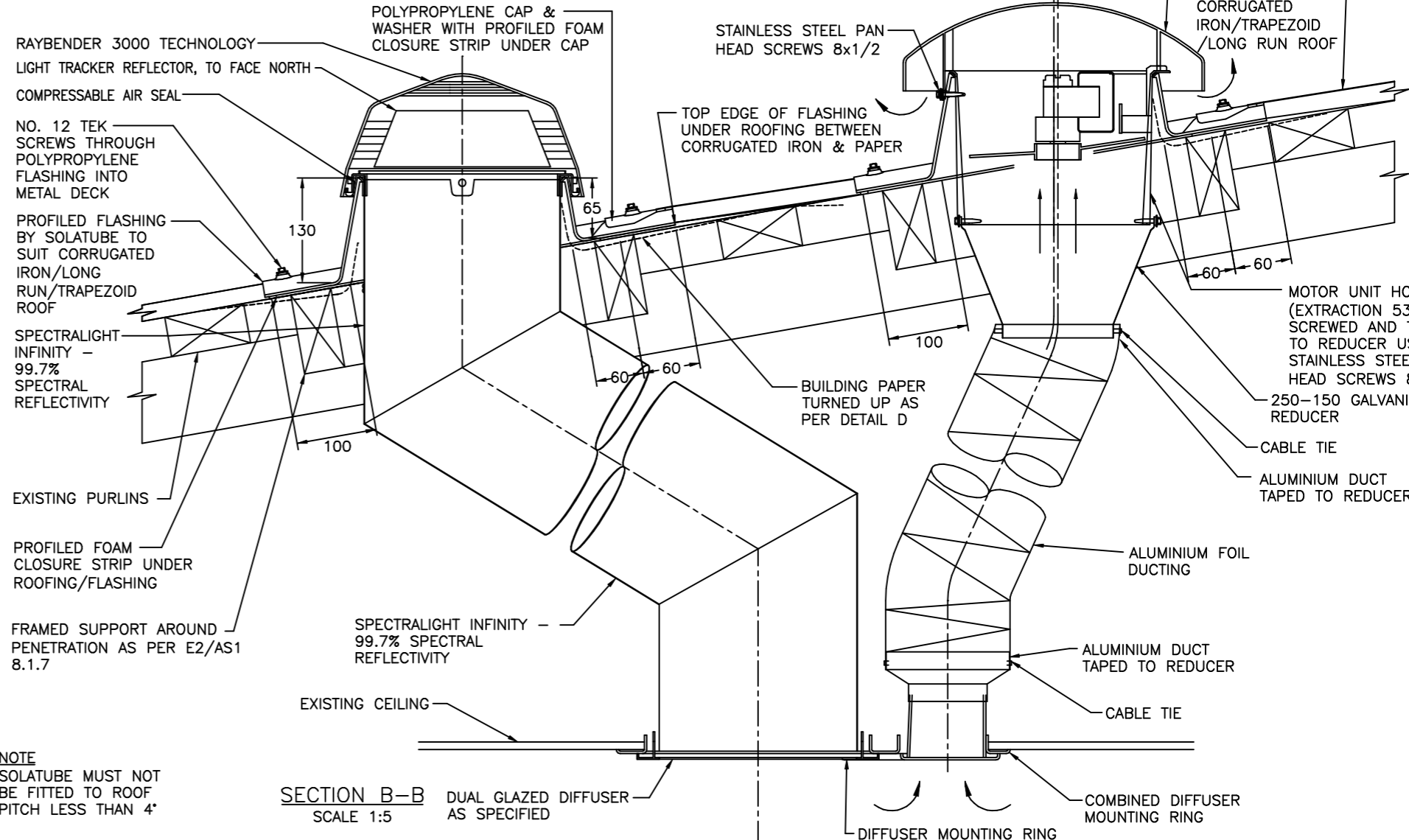
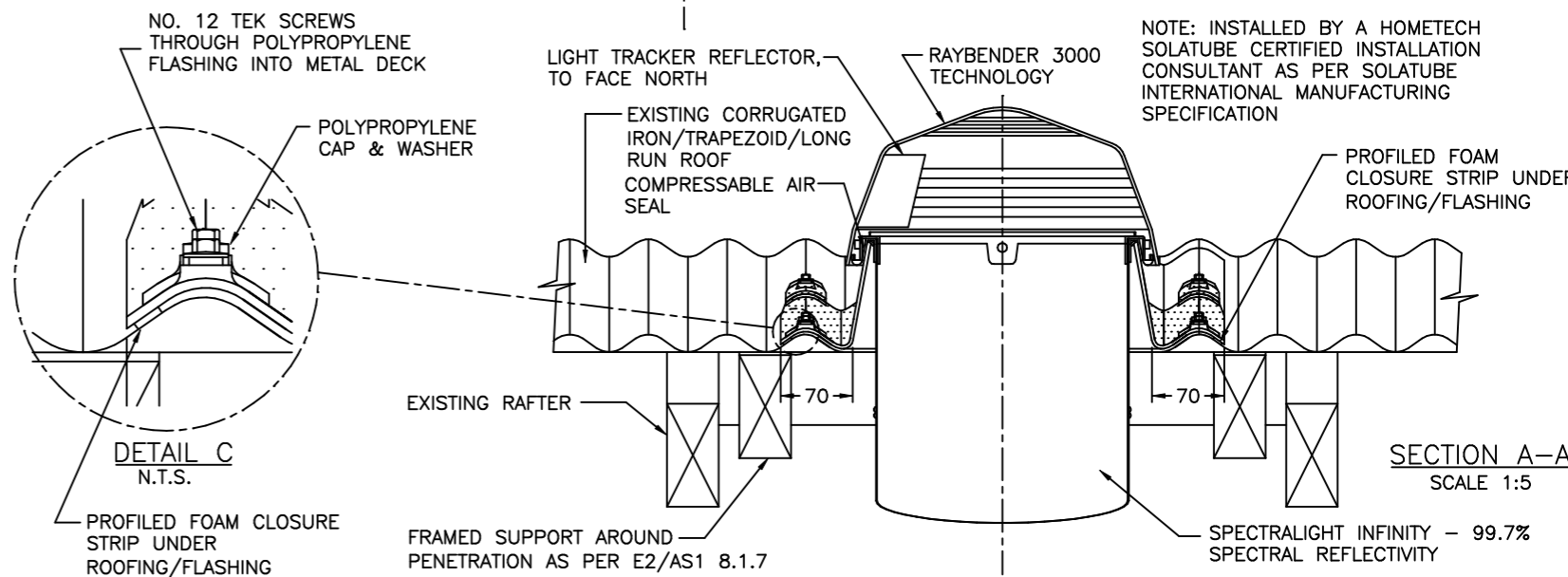
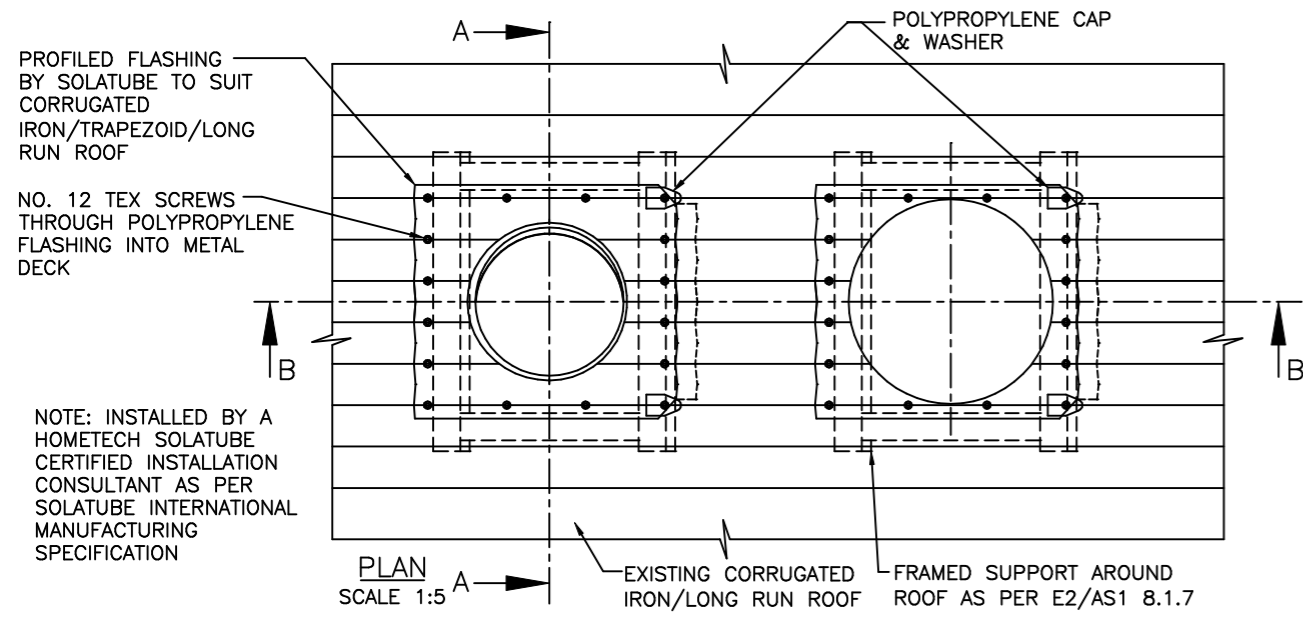


DETAIL D - 3D EXPLODED VIEW
N.T.S.



SECTION B-B
SCALE 1:5



DETAIL C
N.T.S.

SECTION A-A
SCALE 1:5

NOTE
SOLATUBE MUST NOT BE FITTED TO ROOF PITCH LESS THAN 4°

DRAWN	PCR	REVISION	F
DATE	13/06/18	SCALE	1:5, 1:10, NTS
APPROVED	PN	DWG NO.	
DATE	13/06/18		160DS-V-C