

NOTE: INSTALLED BY A HOMETECH SOLATUBE CERTIFIED INSTALLATION CONSULTANT AS PER SOLATUBE INTERNATIONAL MANUFACTURING SPECIFICATION

**PLAN**  
SCALE 1:10

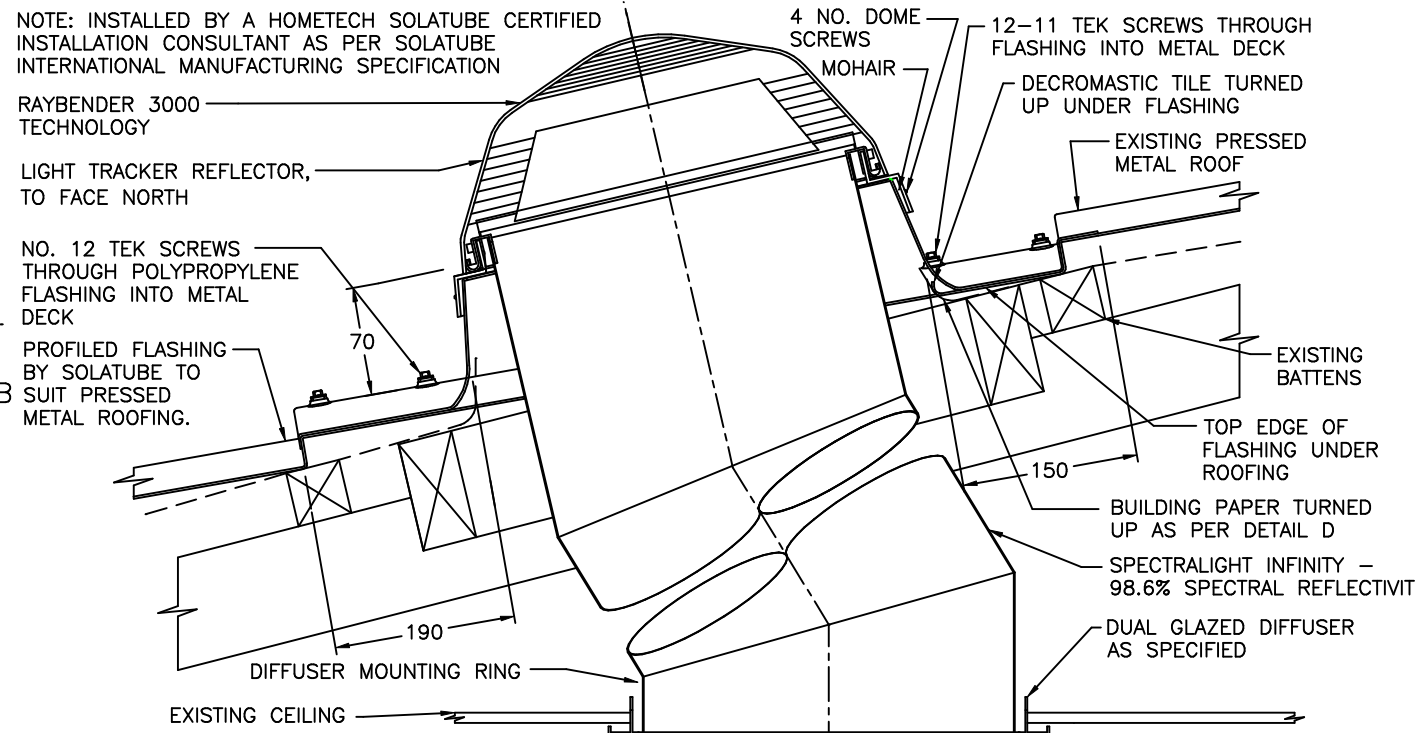
NOTE: INSTALLED BY A HOMETECH SOLATUBE CERTIFIED INSTALLATION CONSULTANT AS PER SOLATUBE INTERNATIONAL MANUFACTURING SPECIFICATION

RAYBENDER 3000 TECHNOLOGY

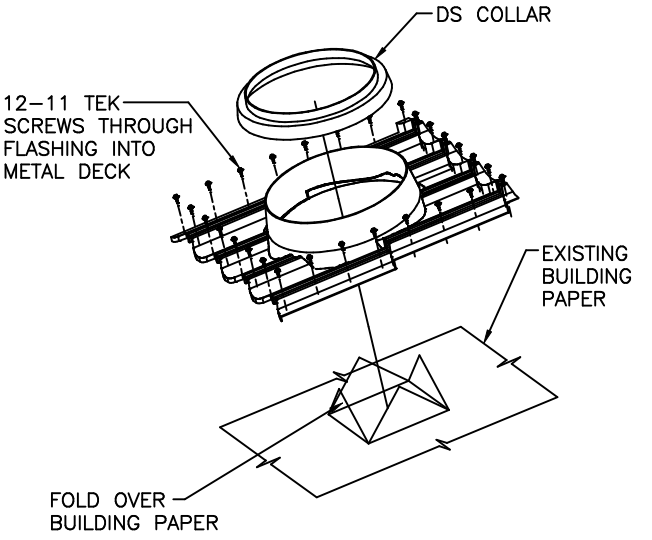
LIGHT TRACKER REFLECTOR, TO FACE NORTH

NO. 12 TEK SCREWS THROUGH POLYPROPYLENE FLASHING INTO METAL DECK

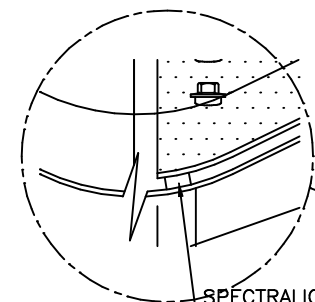
PROFILED FLASHING BY SOLATUBE TO SUIT PRESSED METAL ROOFING.



**SECTION B-B**  
SCALE 1:5

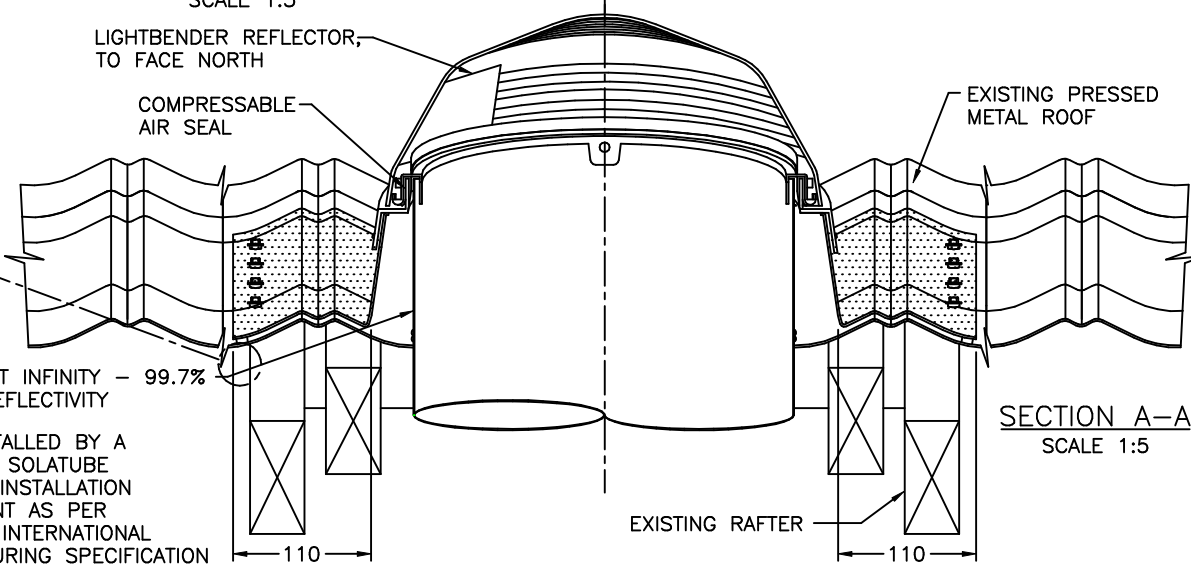


**DETAIL D - 3D EXPLODED VIEW**  
N.T.S.



PROFILED FOAM CLOSURE STRIP UNDER ROOFING/FLASHING

NOTE: INSTALLED BY A HOMETECH SOLATUBE CERTIFIED INSTALLATION CONSULTANT AS PER SOLATUBE INTERNATIONAL MANUFACTURING SPECIFICATION



**SECTION A-A**  
SCALE 1:5

**SOLATUBE.**  
Innovation in Daylighting.

Copyright  
Trademarks and Patents registered.

Authorised Distributor  
HomeTech Limited: New Zealand.

PHONE: 0800 466-383  
WEB: www.hometech.co.nz

**SOLATUBE 290DS DAYLIGHTING SYSTEM**  
INSTALLATION FOR PRESSED METAL ROOF e.g. DECROBOND

INSTALLATION: INSTALLED BY A HOMETECH SOLATUBE CERTIFIED INSTALLATION CONSULTANT AS PER SOLATUBE INTERNATIONAL MANUFACTURING SPECIFICATION

© 2011 HomeTech Ltd

DRAWN	PCR	REVISION	D
DATE	22/10/16	SCALE	1:5, 1:10, NTS
APPROVED	PN	DWG NO.	290DS-D
DATE	22/10/16		