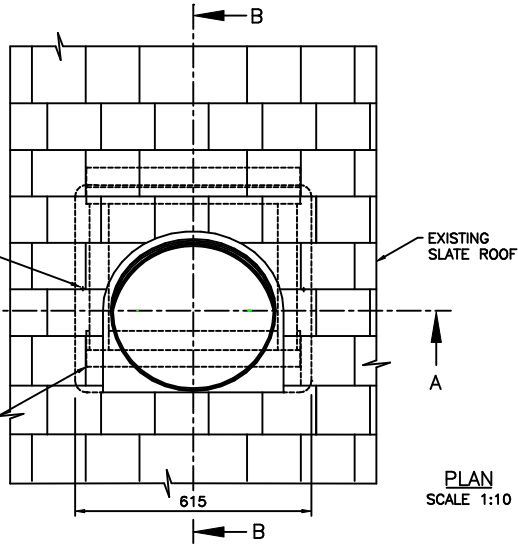


NOTE: INSTALLED BY A HOMETECH SOLATUBE CERTIFIED INSTALLATION CONSULTANT AS PER SOLATUBE INTERNATIONAL MANUFACTURING SPECIFICATION

NO. 12 Z4 TEX SCREWS
 ⌀ 50mm CENTRES

FRAMED SUPPORT AROUND ROOF AS PER E2/AS1 8.1.7



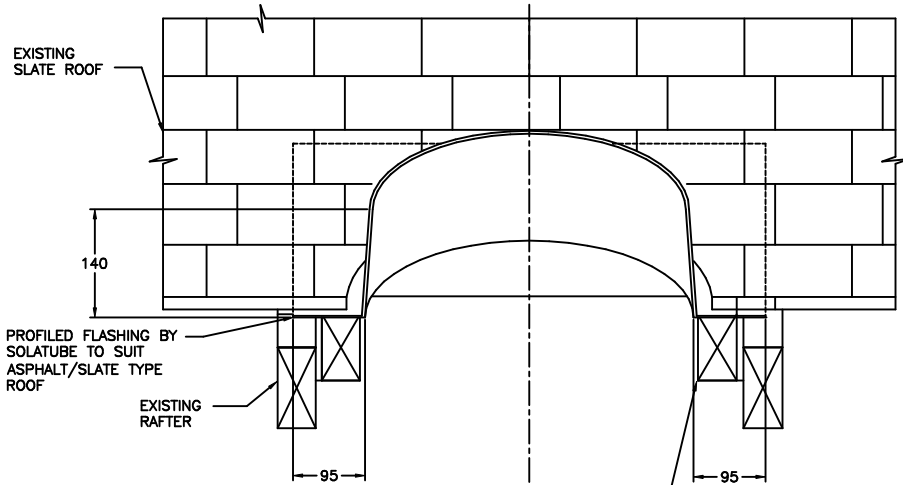
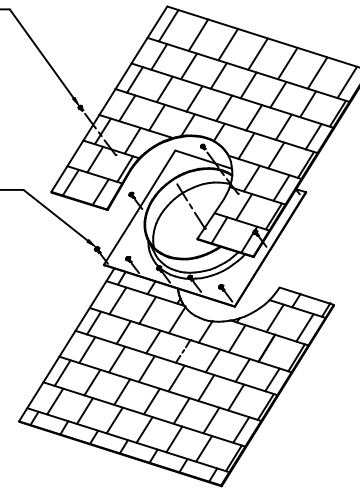
PLAN SCALE 1:10

NO. 12 Z4 TEX SCREWS

FLASHING FIXED WITH TEX SCREWS INTO PLYWOOD SHEET

DETAIL C - 3D EXPLODED VIEW SCALE: NTS

NOTE: INSTALLATION BY LICENCED HOMETECH INSTALLER AS PER THE SOLATUBE AUSTRALIA MANUFACTURING SPECIFICATION



SECTION A-A SCALE 1:5

NOTE: INSTALLED BY A HOMETECH SOLATUBE CERTIFIED INSTALLATION CONSULTANT AS PER SOLATUBE INTERNATIONAL MANUFACTURING SPECIFICATION

RAYBENDER 3000 TECHNOLOGY

LIGHT TRACKER REFLECTOR, TO FACE NORTH

4 NO. DOME SCREWS

EXISTING BATTEN
 PLYWOOD UNDER SLATE ROOF
 EXISTING RAFTER

FRAMED SUPPORT AROUND ROOF AS PER E2/AS1 8.1.7

290DS REDUCER
 MOHAIR

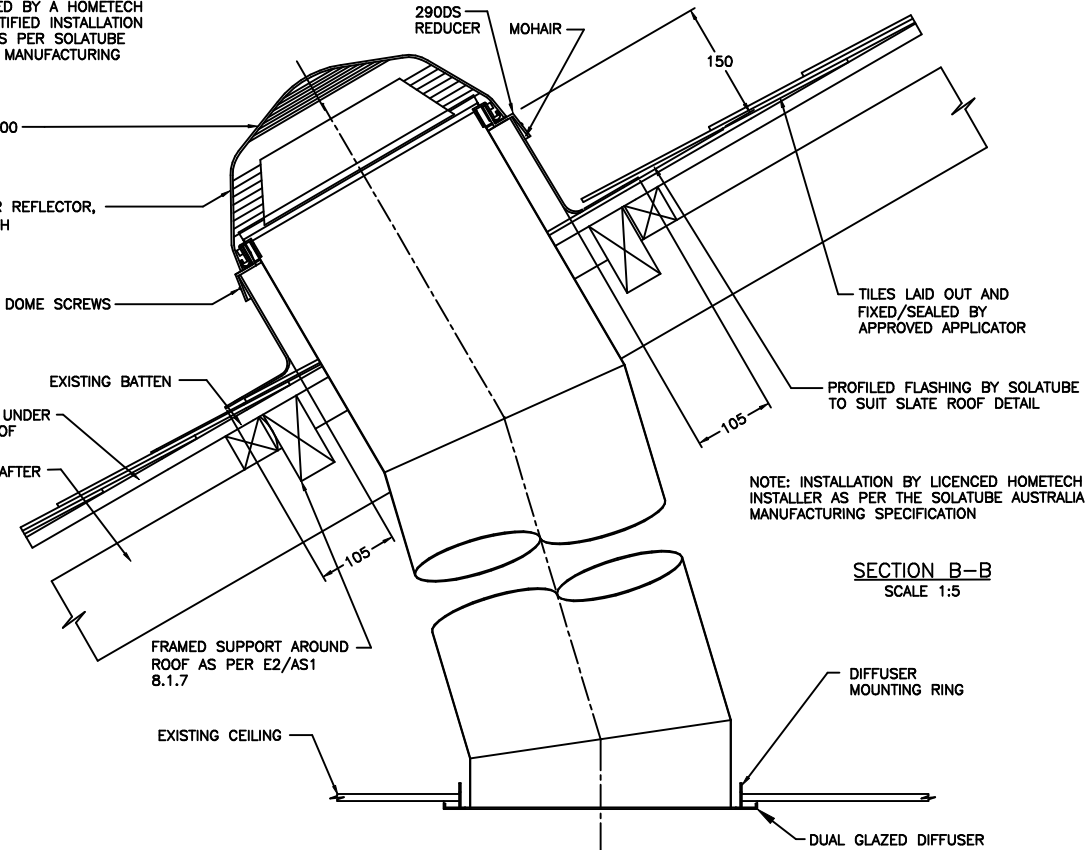
150

TILES LAID OUT AND FIXED/SEALED BY APPROVED APPLICATOR

PROFILED FLASHING BY SOLATUBE TO SUIT SLATE ROOF DETAIL

NOTE: INSTALLATION BY LICENCED HOMETECH INSTALLER AS PER THE SOLATUBE AUSTRALIA MANUFACTURING SPECIFICATION

SECTION B-B SCALE 1:5



DRAWN	PCR	REVISION	D
DATE	22/10/16	SCALE	1:5, 1:10, NTS
APPROVED	PN	DWG NO.	
DATE	22/10/16		290DS-S