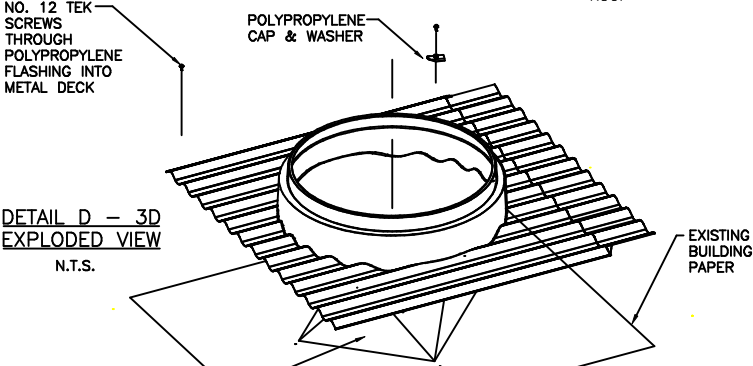
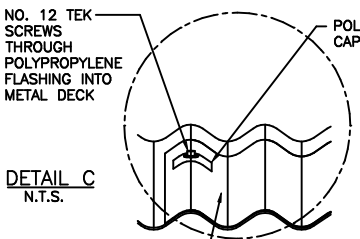


NOTE: INSTALLED BY A HOMETECH SOLATUBE CERTIFIED INSTALLATION CONSULTANT AS PER SOLATUBE INTERNATIONAL MANUFACTURING SPECIFICATION

PLAN SCALE 1:10

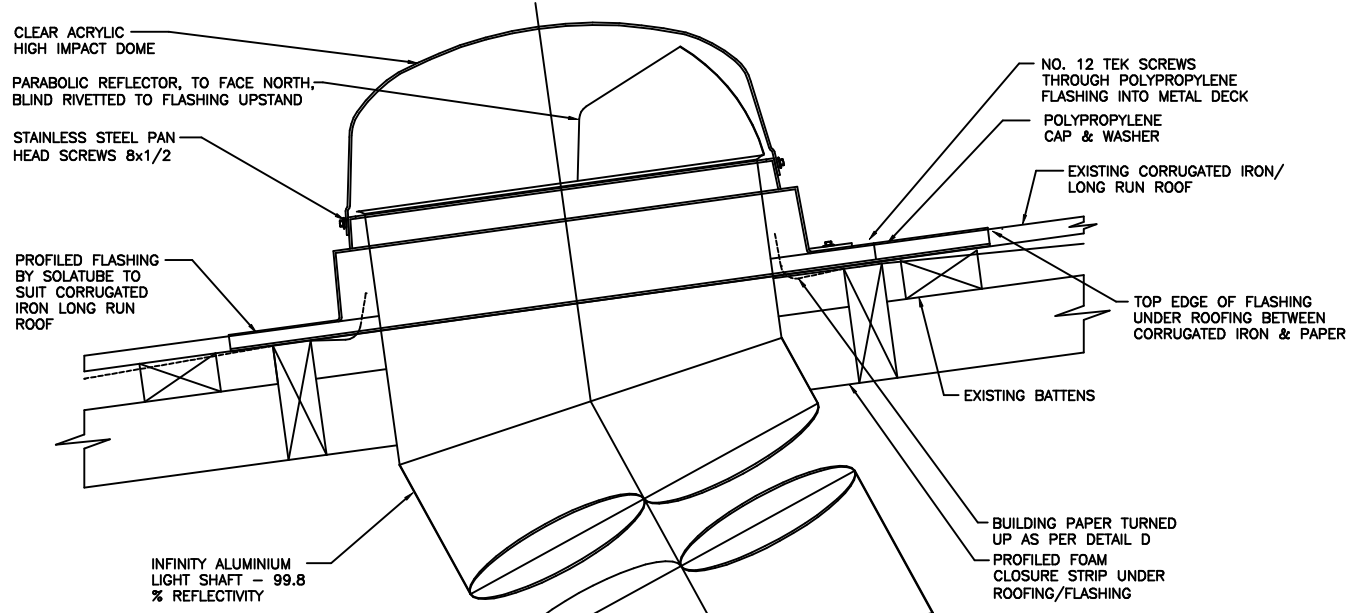


DETAIL D - 3D EXPLODED VIEW N.T.S.



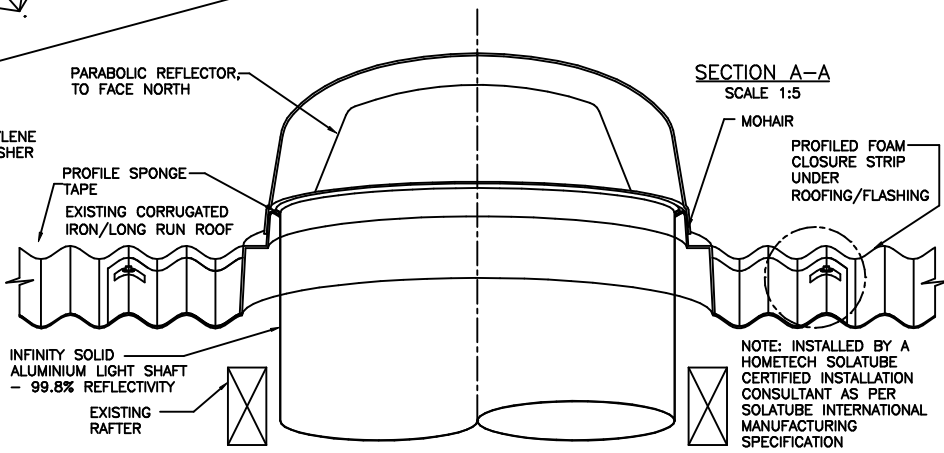
DETAIL C N.T.S.

PROFILED FOAM CLOSURE STRIP UNDER ROOFING/FLASHING



NOTE: INSTALLED BY A HOMETECH SOLATUBE CERTIFIED INSTALLATION CONSULTANT AS PER SOLATUBE INTERNATIONAL MANUFACTURING SPECIFICATION

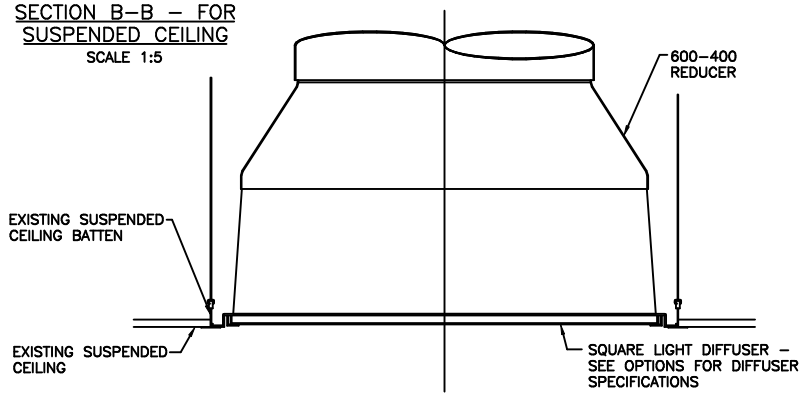
SECTION B-B - FOR HARD CEILING E.G. GIB SCALE 1:5



SECTION A-A SCALE 1:5

NOTE: INSTALLED BY A HOMETECH SOLATUBE CERTIFIED INSTALLATION CONSULTANT AS PER SOLATUBE INTERNATIONAL MANUFACTURING SPECIFICATION

SECTION B-B - FOR SUSPENDED CEILING SCALE 1:5



DRAWN	PCR	REVISION	C
DATE	22/10/16	SCALE	1:5, 1:10, NTS
APPROVED	PN	DWG NO.	
DATE	22/10/16	330DS-CC-C	