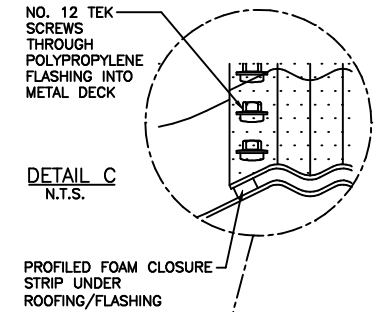
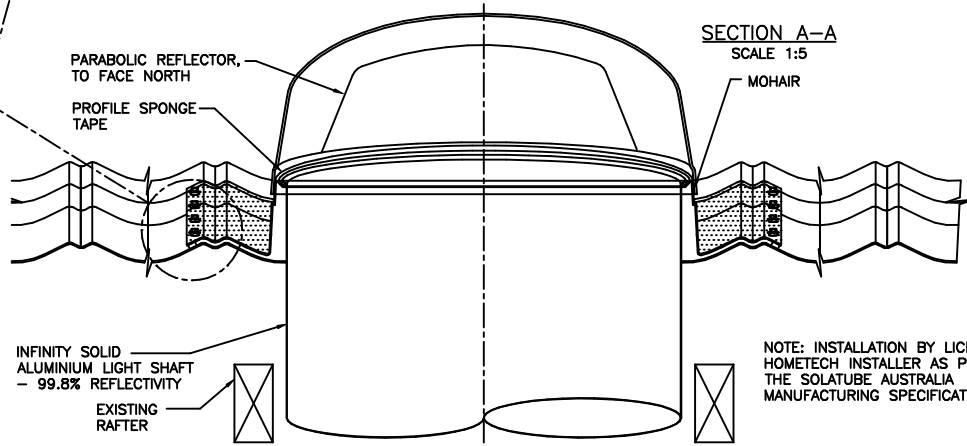
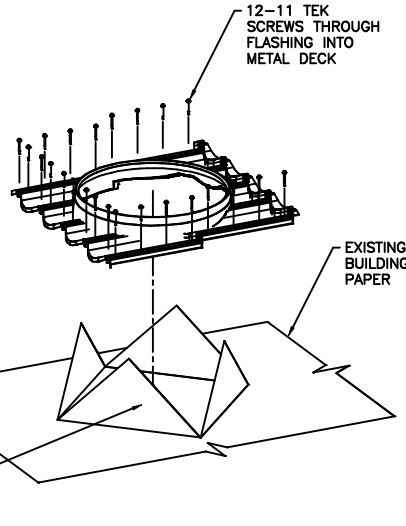


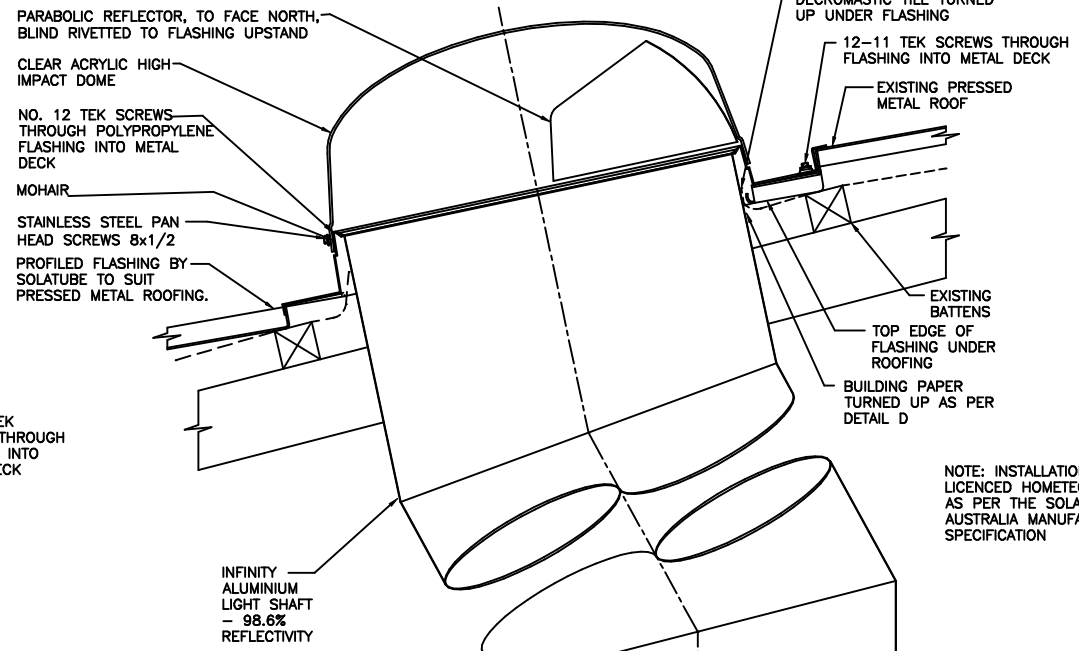
NOTE: INSTALLATION BY LICENCED HOMETECH INSTALLER AS PER THE SOLATUBE AUSTRALIA MANUFACTURING SPECIFICATION



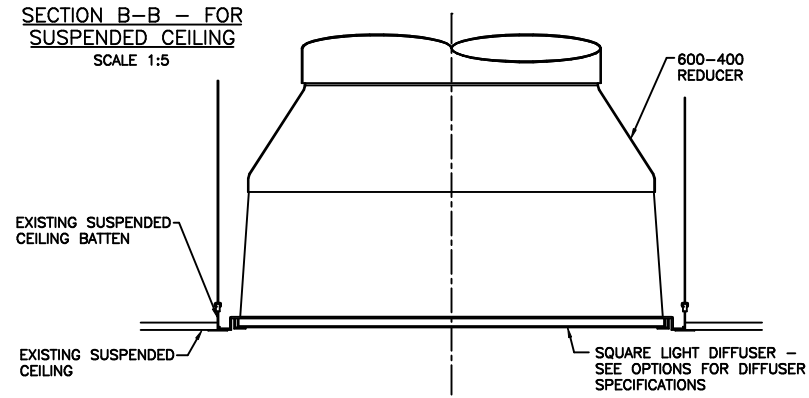
DETAIL D - 3D EXPLODED VIEW N.T.S.



NOTE: INSTALLATION BY LICENCED HOMETECH INSTALLER AS PER THE SOLATUBE AUSTRALIA MANUFACTURING SPECIFICATION



NOTE: INSTALLATION BY LICENCED HOMETECH INSTALLER AS PER THE SOLATUBE AUSTRALIA MANUFACTURING SPECIFICATION



DRAWN	PCR	REVISION	B
DATE	22/10/16	SCALE	1:5, 1:10, NTS
APPROVED	PN	DWG NO.	
DATE	22/10/16		330DS-CC-D