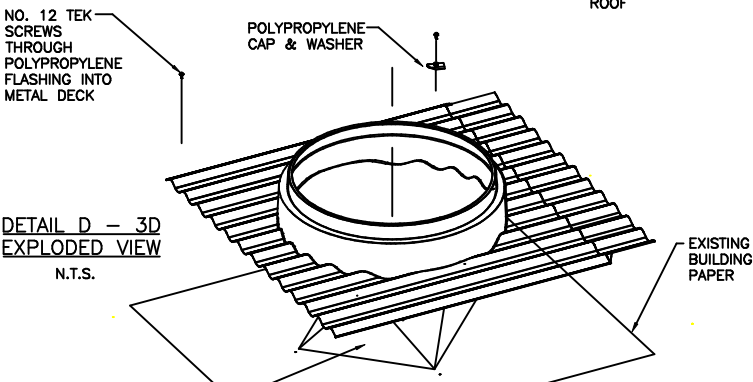
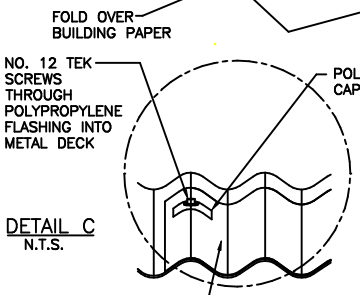


NOTE: INSTALLED BY A HOMETECH SOLATUBE CERTIFIED INSTALLATION CONSULTANT AS PER SOLATUBE INTERNATIONAL MANUFACTURING SPECIFICATION

PLAN
SCALE 1:10

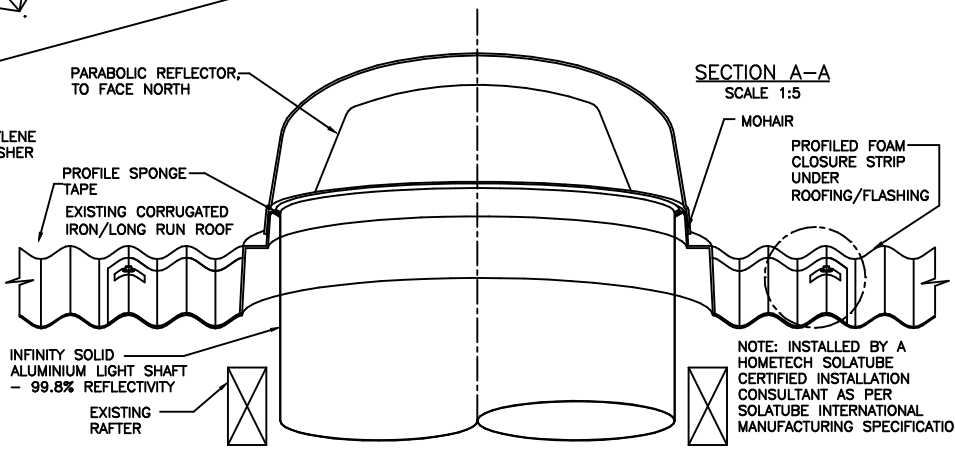


DETAIL D - 3D
EXPLODED VIEW
N.T.S.



DETAIL C
N.T.S.

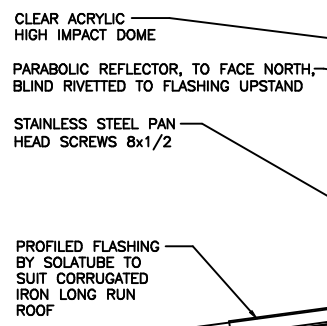
PROFILED FOAM CLOSURE STRIP UNDER ROOFING/FLASHING



SECTION A-A
SCALE 1:5

INFINITY SOLID ALUMINIUM LIGHT SHAFT - 99.8% REFLECTIVITY

NOTE: INSTALLED BY A HOMETECH SOLATUBE CERTIFIED INSTALLATION CONSULTANT AS PER SOLATUBE INTERNATIONAL MANUFACTURING SPECIFICATION



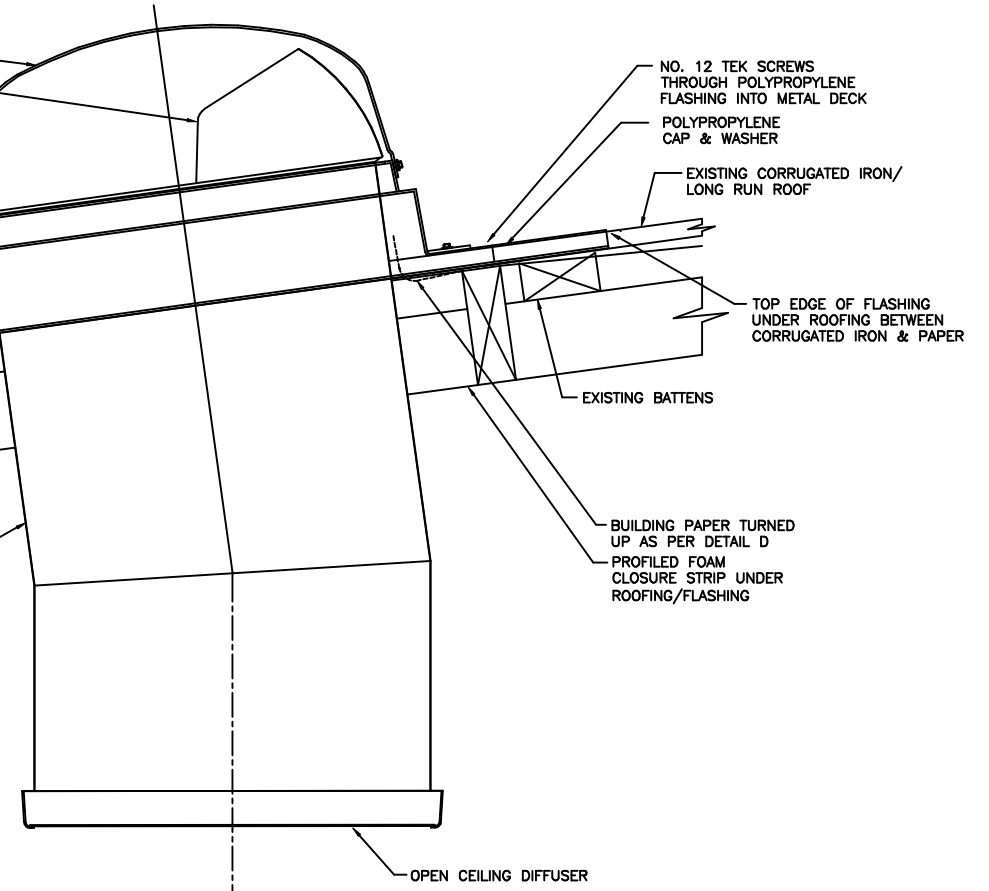
SECTION B-B
SCALE 1:5

NOTE: INSTALLED BY A HOMETECH SOLATUBE CERTIFIED INSTALLATION CONSULTANT AS PER SOLATUBE INTERNATIONAL MANUFACTURING SPECIFICATION

INFINITY ALUMINIUM LIGHT SHAFT - 99.8% REFLECTIVITY

PROFILED FLASHING BY SOLATUBE TO SUIT CORRUGATED IRON LONG RUN ROOF

CLEAR ACRYLIC HIGH IMPACT DOME
PARABOLIC REFLECTOR, TO FACE NORTH, BLIND RIVETTED TO FLASHING UPSTAND
STAINLESS STEEL PAN HEAD SCREWS 8x1/2



NO. 12 TEK SCREWS THROUGH POLYPROPYLENE FLASHING INTO METAL DECK
POLYPROPYLENE CAP & WASHER

EXISTING CORRUGATED IRON/LONG RUN ROOF

TOP EDGE OF FLASHING UNDER ROOFING BETWEEN CORRUGATED IRON & PAPER

EXISTING BATTENS

BUILDING PAPER TURNED UP AS PER DETAIL D

PROFILED FOAM CLOSURE STRIP UNDER ROOFING/FLASHING

OPEN CEILING DIFFUSER

DRAWN	PCR	REVISION	C
DATE	22/10/16	SCALE	1:5, 1:10, NTS
APPROVED	PN	DWG NO.	
DATE	22/10/16	330DS-OC-C	