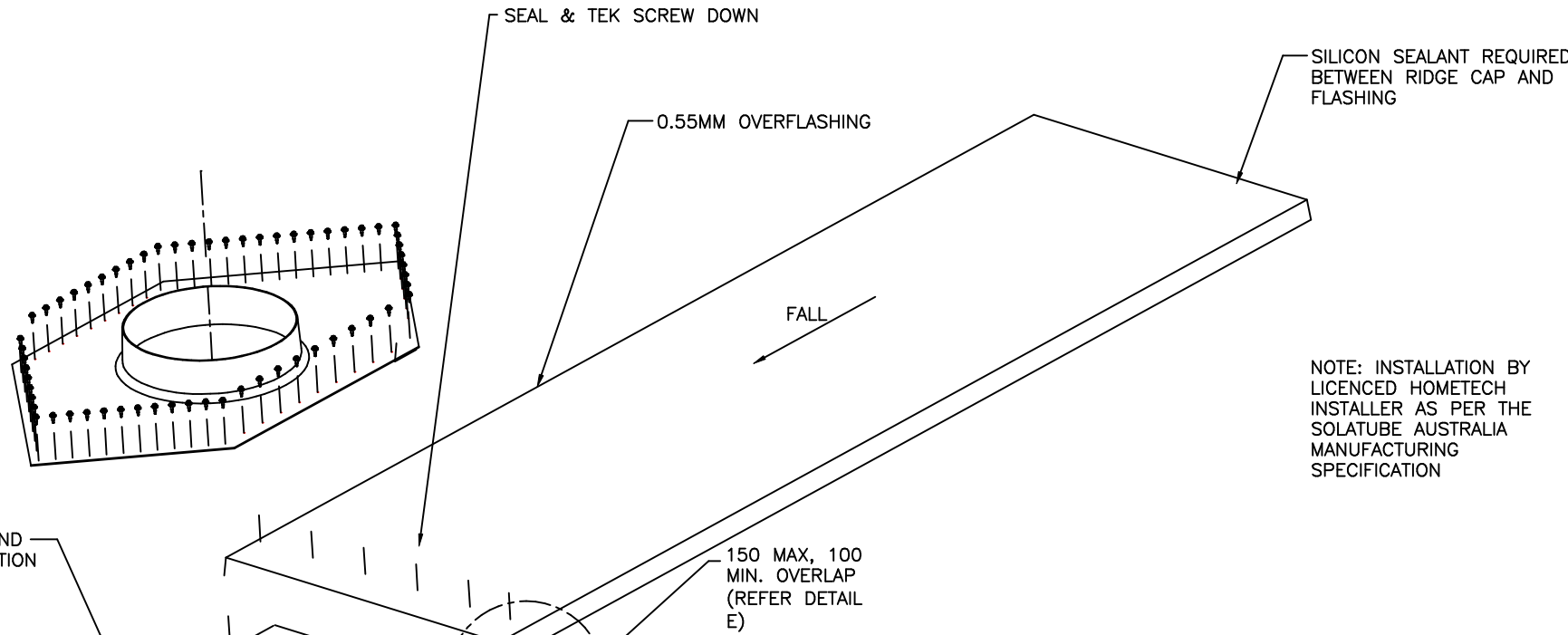
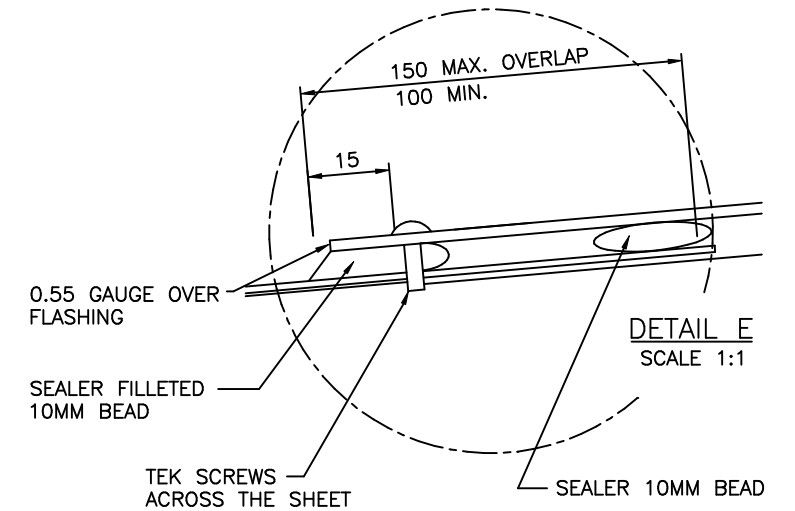


NOTE:
THE FLASHING SHOWN MAY
BE ROUND



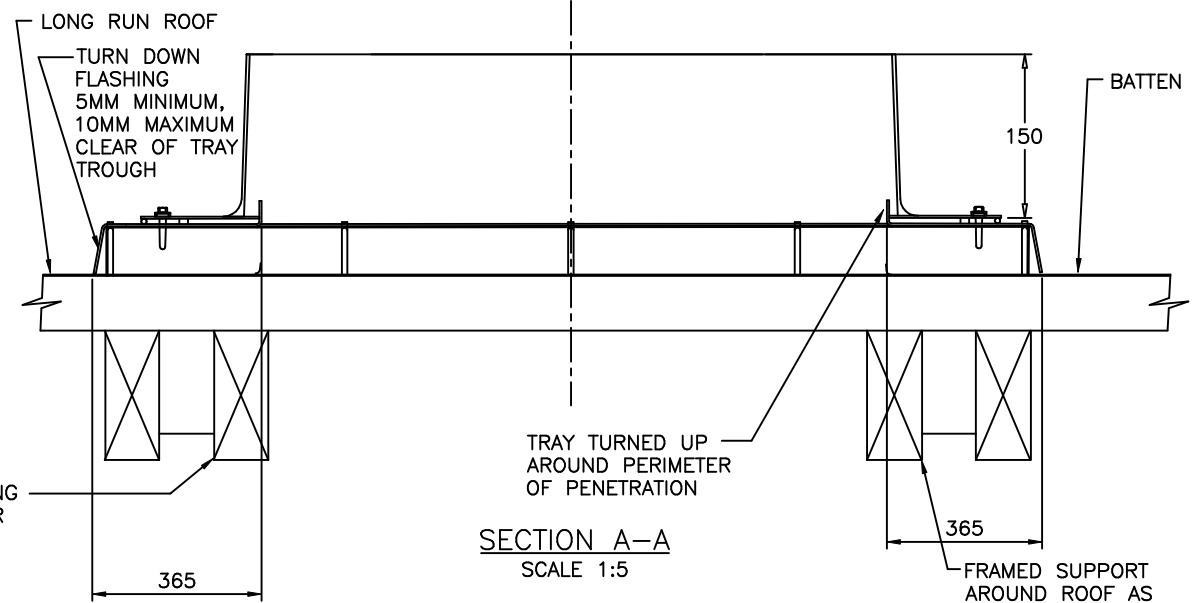
MINIMUM FLASHING WIDTHS
APPLY
250 ϕ – 600mm
300/400 ϕ – 850mm
600 ϕ – 900mm
THIS IS TO ENSURE ONE
PAN EITHER SIDE OF THE
ROOF PENETRATION

NOTE: INSTALLATION BY
LICENCED HOMETECH
INSTALLER AS PER THE
SOLATUBE AUSTRALIA
MANUFACTURING
SPECIFICATION



DETAIL E
SCALE: 1:1

NOTE: EXTRA STRAPS MAY
BE REQUIRED IF OVER
1.2M BETWEEN OR IN A
ROOF ACCESS AREA



SECTION A-A
SCALE 1:5

NOTE: INSTALLATION BY
LICENCED HOMETECH
INSTALLER AS PER THE
SOLATUBE AUSTRALIA
MANUFACTURING
SPECIFICATION

DETAIL C – 3D
EXPLODED VIEW
SCALE: NTS

DRAWN	PCR	REVISION	A
DATE	26/07/18	SCALE	NTS
APPROVED	PN	DWG NO.	
DATE	26/07/18	TRAY BACK FLASHING	